

# CARAVAN & TOWING DIMENSIONS

- ✓ CARAVAN LENGTH
- ✓ OVERALL WIDTH & HEIGHT
- ✓ TOTAL TOW VEHICLE & CARAVAN LENGTH
- ✓ REAR OVERHANG
- ✓ PROTRUDING LOADS

## YOUR GUIDE TO CARAVAN AND TOWING DIMENSIONS

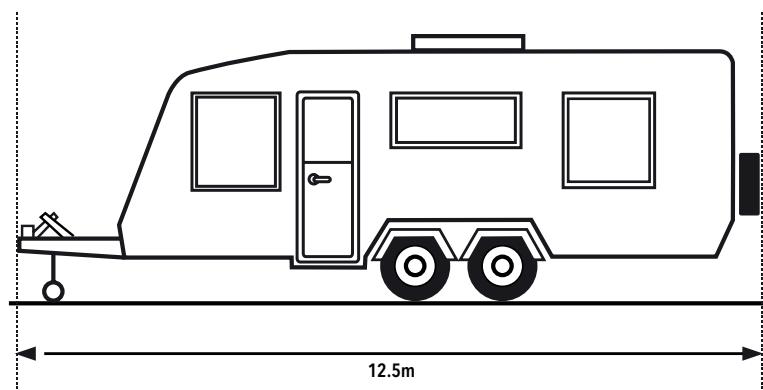
If you are going to purchase a caravan or getting ready for your trip, it is critical that you give careful consideration to the legal requirements about the dimensional of your tow vehicle and caravan.

Caravanning is where memories are created, to ensure safe and happy travels follow the below caravanning tips for safe and pleasant travels.



### CARAVAN LENGTH

The length of a caravan (from the front to the rear foremost points on the vehicle including accessories e.g. bikes, bumpers, tow hooks etc), other than a semi-trailer, must not exceed 12.5 metres.



Brought to you by



*Go make some memories.*

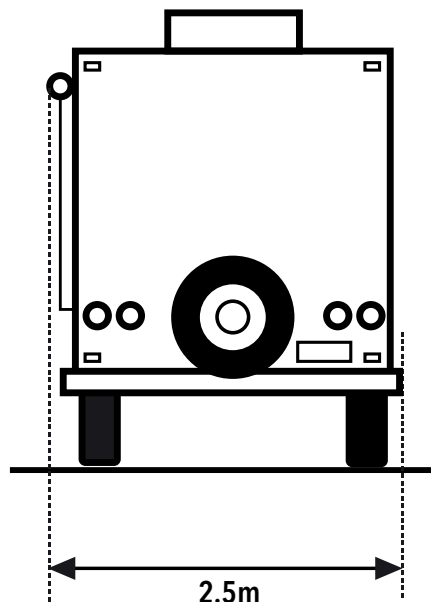
[www.gomakesomememories.com.au](http://www.gomakesomememories.com.au)

© Caravan Trade & Industries Association of Victoria, 2017

## OVERALL WIDTH

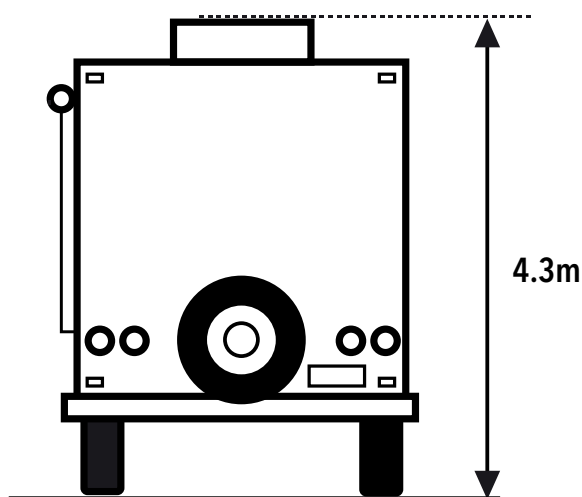
A caravan must not exceed 2.5 metres in overall width. The maximum distance is measured across the body including wheel guards, awning and any accessory, but excluding:

- rear vision mirrors, signalling devices and side-mounted lamps and reflectors;
- anti-skid devices mounted on wheels, central tyre inflation systems, tyre pressure gauges; and/or
- permanently fixed webbing-assembly-type devices – such as curtain-side devices, provided that the maximum distance measured across the body including any part of the devices does not exceed 2.55m.



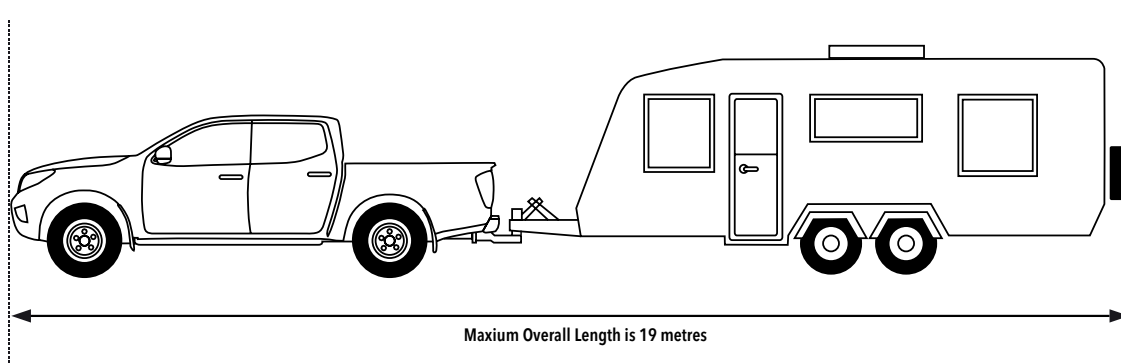
## HEIGHT

The height of any caravan including any accessories such as an air-conditioner, aerial etc., except for a livestock trailer (See Australian Design Rule (ADR) for the definition) must not exceed 4.3 metres in height.



## TOTAL TOW VEHICLE AND CARAVAN LENGTH

The 'total length' for travelling (tow vehicle connected to the caravan) must not exceed 19.0 metres. Total length is the longitudinal distance from the front to the rear foremost points on the tow vehicle and caravan including accessories e.g. bikes, bumpers, tow hooks etc.

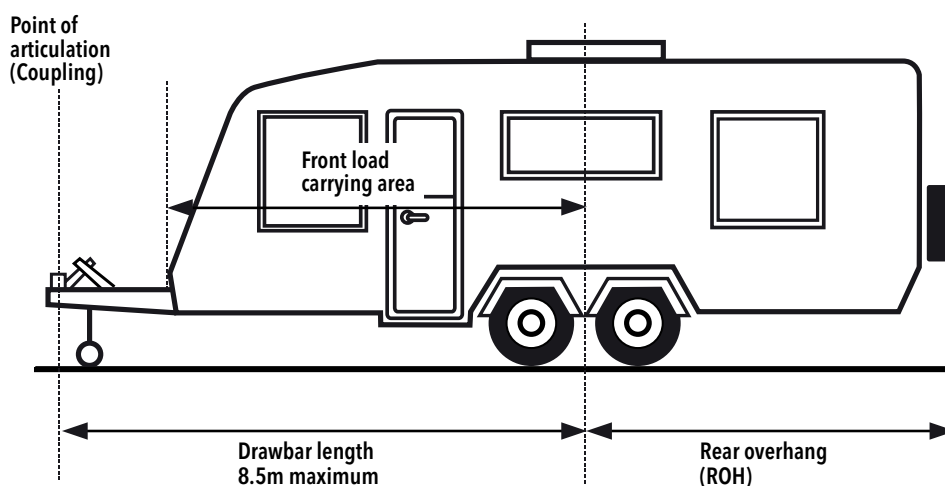


## REAR OVERHANG (ROH)

The rear overhang must not exceed 3.7 metres or the length of the front load carrying area/body ahead of the rear overhang line in the axle group, whichever is the lesser. This is to ensure the load carrying area forward of the axle/s center line is larger than the rear overhang for towing characteristics. E.g. bikes, bumpers, tow hooks etc.

### Notes:

- Rear overhang is the foremost points on the tow vehicle and caravan including accessories e.g. bikes, bumpers, tow hooks etc.
- Front load carrying area is the distance from the centre of the axle/axle group to the front of a load carrying or the body (whichever is longer). Areas ahead of the body that can hold load are items like toolboxes, gas bottles etc.
- Drawbar length is measured from the centre of the axle/axle group to the centre of the drawbar coupling pivot point with the drawbar level and must not be more than 8.5metres.



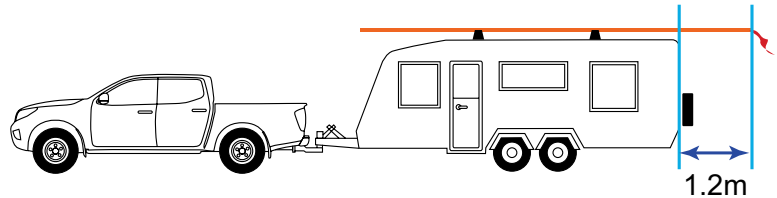
# PROTRUDING LOADS

## REAR PROTRUDING LOADS

Where a load protrudes more than 1.2 metres beyond the rear of a vehicle, or a protruding load cannot be easily seen by a driver following the vehicle, a brightly coloured flag or piece of material of at least 30 x 30 centimetres must be attached to the rear of the load during the day and a red light attached during the night.

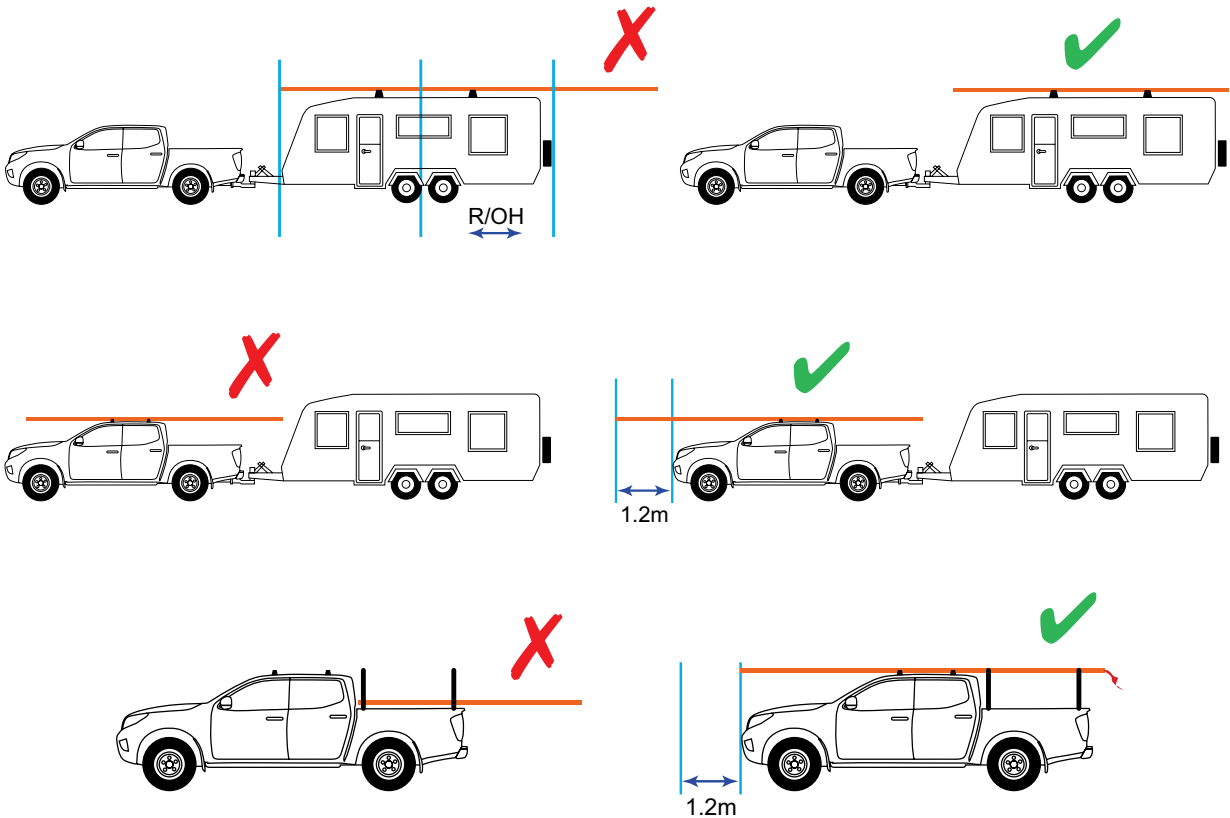
If a load protrudes beyond the rear of a vehicle ensure you remain within the requirements for:

- Caravan Length;
- Total Length; and
- Rear overhang requirements.



## FRONT PROTRUDING LOADS

To reduce rear overhang, loads on motor vehicles may protrude 1.2 metres from the front of the vehicle.



## SIDE PROJECTING LOADS

A load may only project 150mm (millimetres) from the outermost part of either side of a vehicle. However, a maximum overall width for a vehicle and any load is 2.5 metres.