

↔ DOMETIC REFRIGERATION COOLMATIC

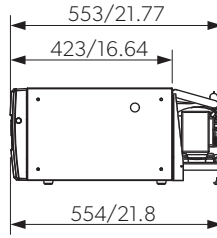
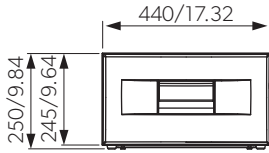


CD20, CD30

EN	Drawer Fridge Installation and Operating Manual 6
FR	Glacière à tiroir Instructions de montage et de service 18
ES	Cajón nevera Instrucciones de montaje y de uso 31

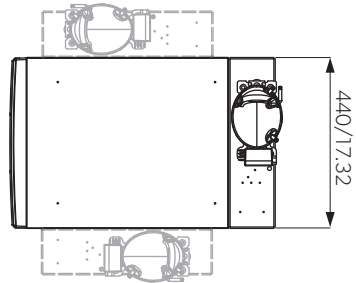
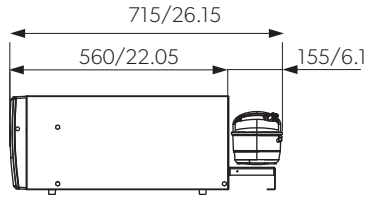
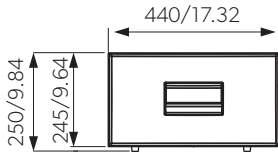
1

CD20

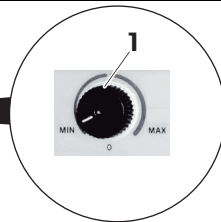
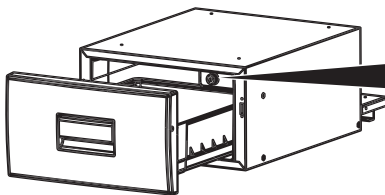


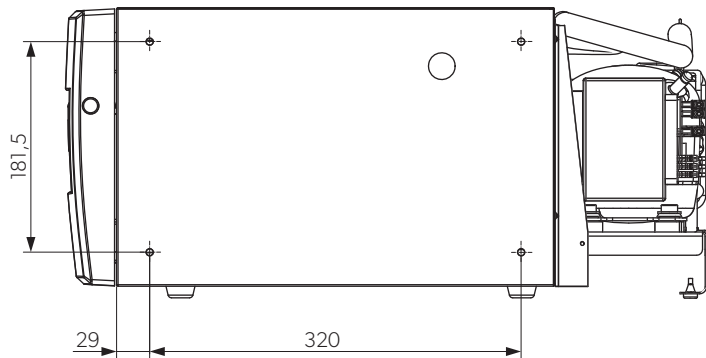
mm / inch

CD30

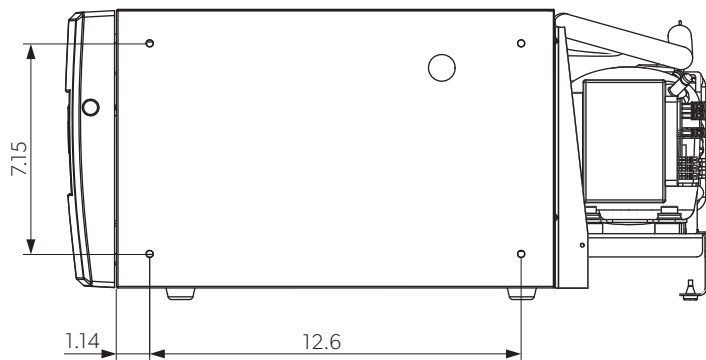


2

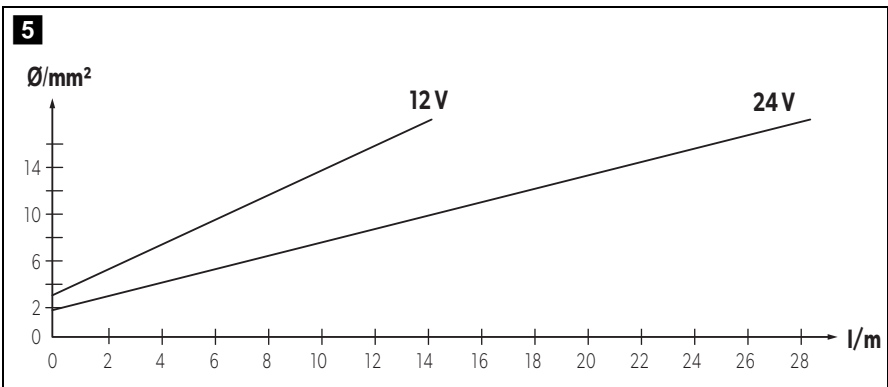
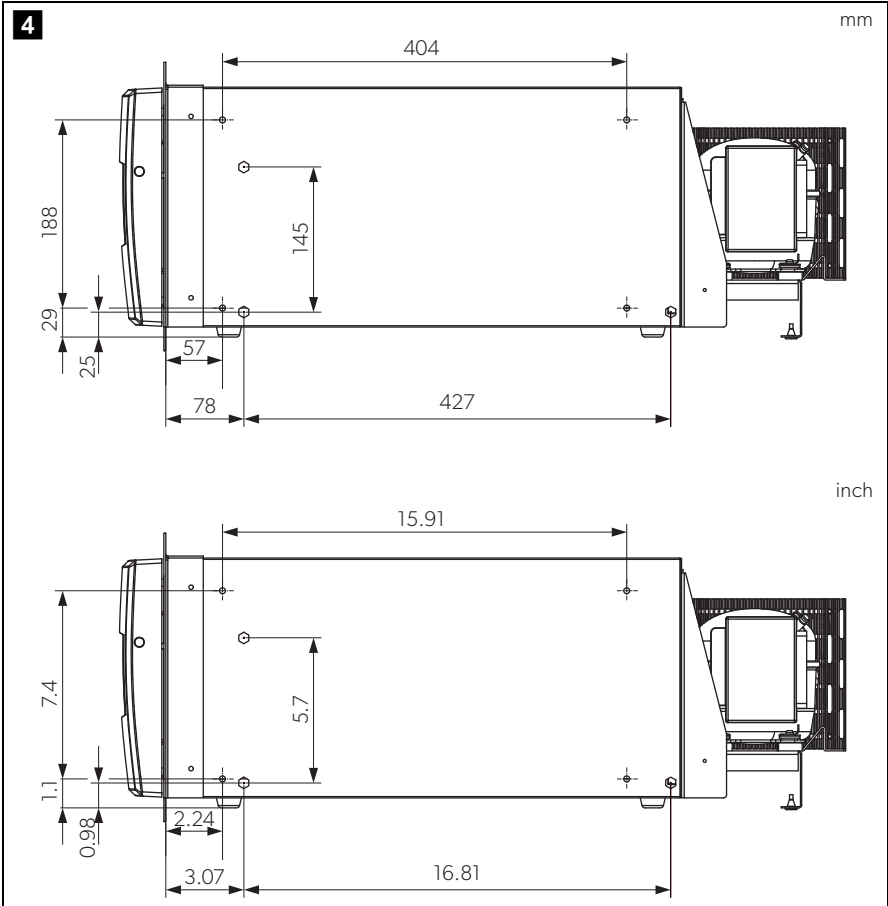


3

mm



inch



Please read this manual carefully before starting the device. Keep it in a safe place for future reference. If the device is passed on to another person, this manual must be handed over to the user along with it.

The manufacturer cannot be held liable for damage resulting from **improper usage** or **incorrect operation**.

Contents

1	Explanation of symbols	7
2	Safety instructions	7
3	Scope of delivery	9
4	Proper use	9
5	Technical description	10
6	Installation	10
7	Operation	11
8	Cleaning and care	13
9	Warranty	14
10	Disposal	14
11	Troubleshooting	14
12	Technical data	17

1 Explanation of symbols

**WARNING!**

Safety instruction: Failure to observe this instruction can cause fatal or serious injury.

**CAUTION!**

Safety instruction: Failure to observe this instruction can lead to injury.

**NOTICE!**

Failure to observe this instruction can cause material damage and impair the function of the product.

**NOTE**

Supplementary information for operating the product.

2 Safety instructions

2.1 General safety

**WARNING!**

- Do not operate the cooling device if it is visibly damaged.
- If this cooling device's power cable is damaged, it must be replaced by the manufacturer, customer service or a similarly qualified person in order to prevent safety hazards.
- This cooling device may only be repaired by qualified personnel. Improper repairs can lead to considerable hazards.
- This cooling device can be used by children aged 8 years or over, as well as by persons with diminished physical, sensory or mental capacities or a lack of experience and/or knowledge, providing they are supervised or have been taught how to use the cooling device safely and are aware of the resulting risks.
- Cleaning and user maintenance must not be carried out by children without supervision.
- Children must not play with the cooling device.
- Children must be supervised to ensure that they do not play with the cooling device.

- Always keep and use the cooling device out of the reach of children under the age of 8 years.
- Do not store any explosive substances such as spray cans with a flammable propellant in the cooling device.

**CAUTION!**

- Disconnect the cooling device from the power supply
 - before each cleaning and maintenance
 - after every use
- Food may only be stored in its original packaging or in suitable containers.

**NOTICE!**

- Check that the voltage specification on the type plate corresponds to that of the energy supply.
- Only connect the cooling device to a DC power supply in the vehicle with the DC cable.
- Never pull the plug out of the socket by the cable.
- Disconnect the cooling device and other power consuming devices from the battery before connecting a quick charging device.
- Disconnect the cooling device or switch it off when you turn off the engine. Otherwise you may discharge the battery.
- The cooling device is not suitable for transporting caustic materials or materials containing solvents.
- The insulation of the cooling device contains flammable cyclopentane and requires special disposal procedures. Deliver the cooling device at the end of its life-cycle to an appropriate recycling center.

2.2 Operating the cooling device safely

**CAUTION!**

- Before starting the cooling device, ensure that the power supply line and the plug are dry.

**NOTICE!**

- Do not use electrical devices inside the cooling device unless they are recommended by the manufacturer for the purpose.
- Do not place the cooling device near naked flames or other heat sources (heaters, direct sunlight, gas ovens etc.).

- **Danger of overheating!**
Ensure at all times that there is a minimum of 50 mm ventilation on all four sides of the cooling device. Keep the ventilation area free of any objects that could restrict the air flow to the cooling components. Do not place the cooling device in closed compartments or areas with none or minimal air flow.
- Ensure that the ventilation openings are not covered.
- Do not fill the inner container with ice or fluids.
- Never immerse the cooling device in water.
- Protect the cooling device and the cable against heat and moisture.
- For HGV operation:
Empty the coolbox and switch the device off (see chapter "Switching off the coolbox" on page 12), before the driver's cabin is tipped up.

3 Scope of delivery

Quantity	Description
1	Drawer coolbox
4	Mounting bracket
1	Operating instructions

4 Proper use

The drawer coolers CD20 and CD30 are suitable for use in heavy goods vehicles (HGVs), boats or recreational vehicles and has been designed for a maximum permanent inclination of 30°.

An optimum cooling capacity is guaranteed at ambient temperatures between +16 °C (60.8 °F) and +32 °C (89.6 °F) and at a maximum air humidity of 90 %.



NOTE

Before exposing the cooling device to extreme conditions, please contact the manufacturer.



CAUTION! Health hazard!

- Please check if the cooling capacity of the device is suitable for storing the food or medicine you wish to cool (see chapter “Technical data” on page 17).
- Food may only be stored in its original packaging or in suitable containers.

5 Technical description

The cooling devices can cool goods or keep goods cool in a temperature range from -2 °C (28.4 °F) to +12 °C (53.6 °F).

The coolbox is equipped with a control module which switches the compressor off and on again and thereby protects both the battery and compressor against damage. The switch-off and switch-on points measured at the connection terminals of the compressor are listed in the chapter “Technical data” on page 17.

5.1 Control elements

No. in fig. 2, page 3	Explanation
1	Thermostat

6 Installation



NOTICE!

- Ensure that the positive cable is connected to the positive terminal and the negative cable to the negative terminal.
- When choosing the installation location, ensure that the air heated by the liquefier can be drawn off.



NOTE

To avoid voltage loss and therefore a drop in performance, the cable route should be kept as short as possible and should not be interrupted if this is possible. For this reason avoid additional switches, plug or power strips.

Please observe the following instructions:

- Determine the required cross section of the cable in relation to the cable length according to fig. **5**, page 5.

Key to fig. **5**, page 5

Co-ordinate axis	Meaning	Unit
l	Cable length	m
∅	Cable cross section	mm ²

Connect your cooling device as directly as possible to the battery terminal or to an outlet with a fuse rated for at least 15 A (12 V) or 7.5 A (24 V).

- Fix the device in place using the screwing holes:
 - CD20, see fig. **3**, page 4.
 - CD30, see fig. **4**, page 5.

7 Operation



NOTE

Before starting your new cooling device for the first time, you should clean it inside and outside with a damp cloth for hygienic reasons (please also refer to the chapter “Cleaning and care” on page 13).

7.1 Energy saving tips

- Choose a well ventilated location which is protected from direct sunlight.
- Allow warm food to cool down first before placing it in the cooling device to keep cool.
- Do not open the cooling device more often than necessary.
- Do not leave the cooling device open for longer than necessary.
- Defrost your cooling device as soon as a layer of ice forms.
- Avoid unnecessarily low temperatures.
- Clean the condenser of dirt (dust etc.) at regular intervals.

7.2 Switching on the coolbox

- Open the coolbox drawer.
- To switch on the coolbox, turn the thermostat knob clockwise (see fig. **2** 1, page 3).
- ✓ The coolbox starts cooling the interior.



NOTE

Ensure that the objects placed in the coolbox are suitable for cooling/warming to the selected temperature.

7.3 Selecting the temperature

The switch on the thermostat (see fig. **2** 1, page 3) displays the selected temperature.

Switch position	Temperature range (dependent of ambient temperature)	
	CD20	CD30
MAX	approx. -2 °C (28.4 °F) in interior	
MIN	approx. +12 °C (53.6 °F) in interior	

- If you wish to set the temperature to cooling, turn the thermostat knob (see fig. **2** 1, page 3), to the desired temperature range.

7.4 Switching off the coolbox



NOTE

If you wish to leave the cooling device switched off for a longer period, clean it and leave the drawer slightly open. This will prevent unpleasant odours from forming.

- Open the coolbox drawer.
- To switch off the coolbox, turn the thermostat knob (see fig. **2** 1, page 3) to the "0" position.
- ✓ The coolbox is switched off.
- If you wish to stop using the coolbox, disconnect the connecting cable from the battery.

7.5 Defrosting

Humidity can form frost in the interior of the cooling device. This reduces the cooling capacity. Defrost the device in good time to avoid this.

**NOTICE!**

Do not remove the layer of ice with hard or sharp tools. These can damage the plastic of the vaporiser.

- Take the food or other objects out of the device and place it in another cooling device to keep it cool, if necessary.
- Switch the cooling device off (see chapter “Switching off the coolbox” on page 12) and leave the drawer open.
- Wipe off the water resulting from defrosting or – if present – empty the collecting tray.

8 Cleaning and care

**WARNING!**

Always disconnect the device from the power supply before you clean and service it.

**NOTICE! Risk of damage**

- Never clean the cooler under running water or in dish water.
- Do not use abrasive cleaning agents or hard objects during cleaning as these can damage the cooler.

- Occasionally clean the device interior and exterior with a damp cloth.
- Make sure that the air inlet and outlet vents on the device are free of any dust and dirt, so that heat can be released and the device is not damaged.

9 Warranty

The statutory warranty period applies. If the product is defective, please contact the manufacturer's branch in your country (see the back of the instruction manual for the addresses) or your retailer.

For repair and warranty processing, please include the following documents when you send in the device:

- A copy of the receipt with purchasing date
- A reason for the claim or description of the fault

10 Disposal

- Place the packaging material in the appropriate recycling waste bins wherever possible.



If you wish to finally dispose of the product, ask your local recycling centre or specialist dealer for details about how to do this in accordance with the applicable disposal regulations.

11 Troubleshooting



WARNING!

This device may only be repaired by specialist personnel. Inadequate repairs can lead to considerable hazards.

Compressor does not run

Feature	Possible cause	Remedy
$U_{\text{Term}} = 0 \text{ Volt}$	There is an interruption in the connection between the battery and the electronics	Establish a connection
	Main switch faulty (if installed)	Replace the main switch
	Additional supply line fuse has blown (if installed)	Replace the supply line fuse
$U_{\text{Term}} \leq U_{\text{ON}}$	Battery voltage is too low	Charge the battery

Feature	Possible cause	Remedy
During attempted start up $U_{\text{Term}} \leq U_{\text{OFF}}$	Loose cable connection	Establish a connection
	Poor contact (corrosion)	
	Cable cross section too small	Replace the cable (fig. 5, page 5)
	Battery capacity too low	Replace the battery
During attempted start up $U_{\text{Term}} \geq U_{\text{ON}}$	Ambient temperature too high	–
	Insufficient ventilation and/or air supply	Move the refrigerator to another location
	Condenser is dirty	Clean the condenser
Electric circuit between the pins in the compressor interrupted	Defective compressor	Replace the compressor

U_{Term} Voltage between the positive and negative electronic terminals

U_{ON} Switch on voltage of the electronic connection terminals (see chapter “Technical description” on page 10)

U_{OFF} Switch off voltage of the electronic connection terminals (see chapter “Technical description” on page 10)

Interior temperature too low in the “MIN” thermostat setting

Feature	Possible cause	Remedy
Compressor runs continuously	Thermostat sensor has no contact to the vaporiser	Secure the sensor
	Short circuit in the thermostat line	
	Thermostat defective	Change the thermostat
Compressor runs for a long time	Large quantities have been frozen in the vaporiser compartment	

Cooling capacity drops, interior temperature rises

Feature	Possible cause	Remedy
Compressor runs for a long time/continuously	Vaporiser iced over	Defrost the vaporiser
	Cooling area insulation is insufficient (moist/wet)	Adjust/replace the drawer seal
	Ambient temperature too high	
	Insufficient ventilation	Ensure that the device is sufficiently ventilated
	Condenser is dirty	Clean the condenser
	Fan defective (if installed)	Replace the fan
Compressor does not run often	Battery capacity exhausted	Charge the battery


Unusual noises

Feature	Possible cause	Remedy
Loud humming	Foreign body jammed between the cooling unit and the wall	Remove the foreign body
	Fan noise	–

Radio or television interference in the vehicle

Feature	Possible cause	Remedy
Reception interference when the compressor is running	The electronic connection of the cooling device is not directly clamped on to the battery	Connect the cooling device as directly as possible to the battery

12 Technical data

	CD20	CD30
Connection voltage:	12 V $\overline{=}$ /24 V $\overline{=}$	
Switch-off voltage:	10.4 V at 12 V $\overline{=}$ 22.8 V at 24 V $\overline{=}$	
Switch-on voltage:	11.7 V at 12 V $\overline{=}$ 24.2 V at 24 V $\overline{=}$	
Rated current:	12 V $\overline{=}$: 3 A 24 V $\overline{=}$: 1.5 A	
Cooling capacity:	-2 °C to +12 °C (28.4 °F to 53.6 °F)	
Capacity:	20 l	30 l
Climatic class:	N	
Ambient temperature:	+16 °C to +32 °C (60.8 °F to 89.6 °F)	
Relative humidity:	max. 90 %	
Permanent inclination:	max. 30°	
Refrigerant quantity:	35 g (1.2 oz)	42 g (1.5 oz)
CO ₂ equivalent:	0.050 t (110.23 lbs)	0.060 t (132.28 lbs)
Global warming potential (GWP):	1430	
Dimensions:	fig. 1 , page 3	
Weight:	16.7 kg (36.8 lbs)	18 kg (39.7 lbs)
Test/certificates:		

The refrigerant circuit contains R134a.

Contains fluorinated greenhouse gases

Hermetically sealed equipment

Veillez lire ce manuel avec attention avant de mettre l'appareil en service. Conservez ensuite ce manuel. En cas de passer de l'appareil, veuillez le transmettre au nouvel acquéreur.

Le fabricant décline toute responsabilité en cas de dommages provoqués par une **utilisation non-conforme de l'appareil** ou **par des erreurs de manipulation**.

Table des matières

1	Explication des symboles	19
2	Consignes de sécurité	19
3	Livraison	21
4	Utilisation conforme	22
5	Description technique	22
6	Montage	23
7	Utilisation	23
8	Nettoyage et entretien	26
9	Garantie	26
10	Retraitement	26
11	Dépannage	27
12	Caractéristiques techniques	30

1 Explication des symboles

**AVERTISSEMENT !**

Consigne de sécurité : le non-respect de ces consignes peut entraîner la mort ou de graves blessures.

**ATTENTION !**

Consigne de sécurité : le non-respect de ces consignes peut entraîner des blessures.

**AVIS !**

Le non-respect de ces consignes peut entraîner des dommages matériels et des dysfonctionnements du produit.

**REMARQUE**

Informations complémentaires sur l'utilisation du produit.

2 Consignes de sécurité

2.1 Sécurité générale

**AVERTISSEMENT !**

- Si l'appareil présente des dégâts visibles, vous ne devez pas le mettre en service.
- Si le câble de raccordement de l'appareil est endommagé, il doit être remplacé par le fabricant, son service après-vente ou une personne de qualification similaire, afin d'éviter tout danger.
- Seul un personnel qualifié est habilité à effectuer des réparations sur l'appareil. Toute réparation mal effectuée risque d'entraîner de graves dangers.
- Les enfants âgés de 8 ans et plus ainsi que les personnes ayant des déficiences physiques, sensorielles ou mentales ou un manque d'expérience ou de connaissances peuvent utiliser ce produit à condition d'être sous surveillance ou d'avoir reçu des instructions concernant l'utilisation de l'appareil en toute sécurité et de comprendre les dangers qui en résultent.

- Le nettoyage et la maintenance ne doivent pas être effectués par des enfants sans surveillance.
- Les enfants ne doivent pas jouer avec cet appareil.
- Les enfants doivent être surveillés pour s'assurer qu'ils ne jouent pas avec l'appareil.
- Placez et utilisez l'appareil hors de portée des enfants de moins de 8 ans.
- Ne stockez aucune substance explosive comme p. ex. des aérosols contenant des agents propulseurs dans l'appareil.

**ATTENTION !**

- Débranchez l'appareil du secteur
 - avant tout nettoyage et entretien
 - après chaque utilisation
- Les aliments ne peuvent être conservés que dans leurs emballages originaux ou dans des récipients appropriés.

**AVIS !**

- Comparez la tension indiquée sur la plaque signalétique avec l'alimentation électrique dont vous disposez.
- Branchez l'appareil uniquement avec le câble de raccordement CC sur une prise CC du véhicule.
- Ne tirez jamais sur le câble de raccordement pour sortir la fiche de la prise.
- Débranchez de la batterie la glacière et les autres consommateurs d'énergie avant de raccorder un chargeur rapide.
- Débranchez ou éteignez la glacière lorsque vous éteignez le moteur. Dans le cas contraire, il se pourrait que la batterie se décharge.
- N'utilisez pas la glacière pour le transport de produits corrosifs ou de solvants.
- Cette glacière contient du cyclopentane inflammable dans son isolation. Les gaz contenus dans le matériau d'isolation exigent une procédure de retraitement particulière. Une fois que vous ne l'utilisez plus, recyclez l'appareil de manière conforme.

2.2 Consignes de sécurité concernant le fonctionnement de l'appareil



ATTENTION !

- Avant de mettre l'appareil en service, assurez-vous que la ligne d'alimentation électrique et la fiche sont sèches.



AVIS !

- N'utilisez aucun appareil électrique dans la glacière, sauf si ces appareils sont recommandés par le fabricant pour cet usage.
- Ne placez pas l'appareil près de flammes ou d'autres sources de chaleur (chauffage, rayons solaires, réchauds à gaz, etc.).
- **Danger de surchauffe !**
 Veillez toujours à ce que la chaleur produite lors du fonctionnement soit suffisamment dissipée. Veillez à ce que l'appareil se trouve à une distance suffisante des murs ou des objets, de sorte que l'air puisse circuler.
- Assurez-vous que les fentes d'aération ne sont pas recouvertes.
- Ne pas remplir le bac intérieur de substances liquides ou de glace.
- Ne plongez jamais l'appareil dans l'eau.
- Tenez l'appareil et les câbles à l'abri de la chaleur et de l'humidité.
- Dans la voiture :
 Videz la glacière et débranchez l'appareil (voir chapitre « Débrancher la glacière », page 25) avant que la cabine du conducteur ne soit déchargée.

3 Livraison

Quantité	Désignation
1	Glacière à tiroir
4	Equerre de fixation
1	Notice d'emploi

4 Utilisation conforme

Les glacières à tiroir CD 20 et CD 30 sont conçues pour l'utilisation mobile dans la voiture, sur le bateau ou dans la caravane et supporte un angle de gîte de maximum 30°.

Une puissance de refroidissement optimale est garantie à des températures ambiantes comprises entre +16 °C (60,8 °F) et +32 °C (89,6 °F) ainsi que pour une humidité de l'air de 90 % maximum.



REMARQUE

Veillez contacter le fabricant avant de soumettre la glacière à des conditions extrêmes.



ATTENTION ! Risque pour la santé !

- Veuillez vérifier si la puissance frigorifique de l'appareil correspond à la température de conservation recommandée pour les aliments ou les médicaments que vous souhaitez refroidir (voir chapitre « Caractéristiques techniques », page 30).
- Les produits alimentaires doivent être conservés dans leurs emballages originaux ou dans des récipients appropriés.

5 Description technique

Les appareils réfrigérants peuvent réfrigérer et maintenir au frais des aliments dans une plage de température de -2 °C (28,4 °F) à +12 °C (53,6 °F).

La glacière est pourvue d'un protecteur de batterie qui débranche et rebranche le condensateur afin de protéger la batterie et le compresseur de dommages. Les points de démarrage et d'arrêt, mesurés aux bornes de raccordement du compresseur, sont représentés dans le chapitre « Caractéristiques techniques », page 30.

5.1 Éléments de commande

N° dans fig. 2, page 3	Explication
1	Thermostat

6 Montage



AVIS !

- Veillez à respecter la polarité, c'est-à-dire à ce que le câble positif soit raccordé au pôle positif et le câble négatif soit raccordé au pôle négatif.
- Assurez-vous que l'air chauffée par le condenseur sur le lieu d'emplacement peut facilement être évacuée.



REMARQUE

Pour éviter des pertes de tension et de puissance frigorifique, le parcours du câble doit être le plus court possible et ne peut être interrompu. Evitez donc de placer des interrupteurs, des connecteurs ou des répartiteurs supplémentaires.

Veillez respecter les consignes suivantes :

- A l'aide de fig. **5**, page 5, déterminez la section nécessaire du câble en fonction de sa longueur.

Légende de fig. **5**, page 5

Axe des coordonnées	Signification	Unité
l	Longueur du câble	m
∅	Section du câble	mm ²

Raccordez votre glacière directement au pôle de la batterie ou à un emplacement pourvu d'une prise de courant embrochable d'au moins 15 A (12 V) ; 7,5 A (24 V).

- Utilisez les points de vissage prévus sur les côtés de la glacière pour la fixation de l'appareil sur l'emplacement:
 - CD20, voir fig. **3**, page 4.
 - CD30, voir fig. **4**, page 5.

7 Utilisation



REMARQUE

Avant de mettre en service la nouvelle glacière, vous devez, pour des raisons d'hygiène, le nettoyer à l'intérieur et à l'extérieur à l'aide d'un tissu humide (voir aussi chapitre « Nettoyage et entretien », page 26).

7.1 Recommandations pour consommer moins d'électricité

- Choisissez un emplacement bien aéré et à l'abri du soleil.
- Laissez refroidir les aliments chauds avant de les déposer dans la glacière.
- Ne pas ouvrir la glacière plus souvent que nécessaire.
- Ne laissez pas la glacière ouverte plus longtemps que nécessaire.
- Dégivrez la glacière dès qu'une couche de glace s'est formée.
- Évitez une basse température intérieure inutile !
- Ecartez régulièrement les impuretés du condensateur (poussière etc.).

7.2 Brancher la glacière

- Ouvrez le tiroir de la glacière.
- Pour brancher la glacière, tournez le bouton du thermostat (voir fig. **2** 1, page 3) dans le sens des aiguilles d'une montre.
- ✓ La glacière commence par la réfrigération de la chambre intérieure.



REMARQUE

Veillez à déposer uniquement des objets ou des aliments qui peuvent être réfrigérés ou réchauffés à la température déterminée dans la glacière.

7.3 Sélectionner la température

Le bouton de démarrage au thermostat indique (voir fig. **2** 1, page 3) la plage de température sélectionnée.

Position du bouton de démarrage	Plage de température : (dépend de la température ambiante)	
	CD 20	CD 30
MAX	env. -2 °C (28,4 °F) dans la chambre intérieure	
MIN	env. +12 °C (53,6 °F) dans la chambre intérieure	

- Lorsque vous voulez sélectionner la température pour réfrigérer, tournez le bouton de démarrage du thermostat (voir fig. **2** 1, page 3) jusqu'à ce que la plage de température souhaitée est atteinte.

7.4 Débrancher la glacière



REMARQUE

Si vous avez l'intention de mettre à l'arrêt la glacière pour une période prolongée, nous vous recommandons de la nettoyer et de laisser le tiroir partiellement ouvert. Ainsi vous évitez la production de mauvaises odeurs.

- Ouvrez le tiroir de la glacière.
- Pour débrancher la glacière, tournez le bouton du thermostat (voir fig. **2** 1, page 3) jusqu'à ce qu'il se trouve en position « 0 ».
- ✓ La glacière est débranchée.
- Lorsque vous mettez l'appareil hors service, débranchez le câble de raccordement de la batterie.

7.5 Dégivrage

L'humidité de l'air peut se condenser en forme de givre à l'intérieur de la glacière et diminuer ainsi la puissance frigorifique. Veillez donc à dégivrer l'appareil bien à temps.



AVIS !

N'écarterez jamais la couche de glace à l'aide d'outils durs ou pointilleux car ceux-ci peuvent endommager la matière plastique ou l'évaporateur.

- Retirez les produits de la glacière et déposez-les dans un autre appareil réfrigérateur si nécessaire afin qu'ils restent froids.
- Débranchez la glacière (voir chapitre « Débrancher la glacière », page 25) et laissez le tiroir ouvert.
- Essayez l'eau provenant du dégivrage ou videz le récipient s'il est à disposition.

8 Nettoyage et entretien



AVERTISSEMENT !

Avant toute opération de nettoyage ou d'entretien de l'appareil, veuillez à le mettre hors secteur.



AVIS ! Risque d'endommagement !

- Ne nettoyez jamais la glacière à l'eau courante et ne la plongez pas non plus dans l'eau.
- N'utilisez pour le nettoyage ni produits abrasifs ni objets durs qui pourraient endommager la glacière.

- Nettoyez de temps à autre l'appareil à l'intérieur et à l'extérieur avec un chiffon humide.
- Assurez-vous que les ouvertures d'aération et de ventilation de l'appareil ne sont pas encombrées de saletés ou de poussières, pour que la chaleur générée par le fonctionnement soit évacuée et que l'appareil ne soit pas endommagé.

9 Garantie

Le délai légal de garantie s'applique. Si le produit s'avérait défectueux, veuillez vous adresser à la filiale du fabricant située dans votre pays (voir adresses au verso du présent manuel) ou à votre revendeur spécialisé.

Veuillez y joindre les documents suivants pour la gestion des réparations et de la garantie :

- une copie de la facture avec la date d'achat,
- le motif de la réclamation ou une description du dysfonctionnement.

10 Retraitement

- Jetez les emballages dans les conteneurs de déchets recyclables prévus à cet effet.



Lorsque vous mettez votre produit définitivement hors service, informez-vous auprès du centre de recyclage le plus proche ou auprès de votre revendeur spécialisé sur les prescriptions relatives au retraitement des déchets.

11 Dépannage



AVERTISSEMENT !

Les réparations sur cet appareil doivent être effectuées uniquement par des spécialistes. Des dangers sérieux peuvent être provoqués par des réparations non conformes.

Le compresseur ne fonctionne pas

Caractéristiques	Cause éventuelle	Solution
$U_{\text{Bornes}} = 0 \text{ Volt}$	Interruption de la ligne de raccordement entre la batterie et l'électronique	Rétablir la connexion
	Commutateur principal défectueux (s'il fait partie des composants)	Changer le commutateur principal
	Le fusible supplémentaire de la ligne est grillé (s'il fait partie des composants)	Changer le fusible de la ligne
$U_{\text{Bornes}} \leq U_{\text{Marche}}$	Tension de batterie trop faible	Charger la batterie
Lors d'un essai de démarrage $U_{\text{Bornes}} \leq U_{\text{Arrêt}}$	Les câbles sont débranchés Mauvais contact (corrosion)	Rétablir la connexion
	Capacité de batterie trop faible	Changer la batterie
	Section du câble trop petite	Changer le câble (fig. 5 , page 5)
Lors d'un essai de démarrage $U_{\text{Bornes}} \geq U_{\text{Marche}}$	Température ambiante trop élevée	–
	Ventilation et aération insuffisantes	Déplacer l'appareil
	Le condensateur est sale	Nettoyer le condensateur
Interruption électrique dans le compresseur entre les broches	Compresseur défectueux.	La réparation peut être effectuée uniquement par un service après-vente agréé.

U_{Bornes}	Tension entre la pince positive et négative de l'électronique
U_{Marche}	Tension de démarrage de la pince de raccordement de l'électronique (voir chapitre « Description technique », page 22)
$U_{\text{Arrêt}}$	Tension d'arrêt de la pince de raccordement de l'électronique voir chapitre « Description technique », page 22)

Température intérieure trop basse sur la position « MIN » du thermostat

Caractéristiques	Cause éventuelle	Solution
Fonctionnement continu du compresseur	Pas de contact établi entre le détecteur du thermostat et l'évaporateur	Fixer le détecteur
	Court-circuit dans la ligne du thermostat	Changer le thermostat
	Thermostat défectueux	
Longue durée de fonctionnement du compresseur	Grande quantité gelée dans le compartiment de l'évaporateur	

Puissance frigorifique non-satisfaisante, augmentation de la température intérieure

Caractéristiques	Cause éventuelle	Solution
Longue durée de fonctionnement/fonctionnement continu du compresseur	Givrage de l'évaporateur	Dégivrer l'évaporateur
	Isolation insuffisante du compartiment réfrigérateur (humide/mouillée)	Réajuster/changer les joints du tiroir
	Température ambiante trop élevée	
	Ventilation par aspiration et aération insuffisante	Garantir une ventilation suffisante
	Condensateur sali	Nettoyer le condensateur
Le compresseur fonctionne rarement	Ventilateur défectueux (s'il fait partie des composants)	Changer le ventilateur
	Batterie à plat/usagée	Charger la batterie


Bruits inhabituels

Caractéristiques	Cause éventuelle	Solution
Ronronnement fort	Corps étranger coincé entre l'unité de réfrigération et la paroi	Retirer le corps étranger
	Le ventilateur fait du bruit	–

Réception radio/télévision perturbée dans la voiture

Caractéristiques	Cause éventuelle	Solution
Interférences lors du fonctionnement du compresseur	Raccord électronique de la machine frigorifique n'est pas connecté directement à la batterie	Raccordez votre glacière directement aux pôles de la batterie

12 Caractéristiques techniques

	CD20	CD30
Tension de raccordement :	12 V $\overline{=}$ /24 V $\overline{=}$	
Tension d'arrêt :	10,4 V à 12 V $\overline{=}$ 22,8 V à 24 V $\overline{=}$	
Tension de démarrage :	11,7 V à 12 V $\overline{=}$ 24,2 V à 24 V $\overline{=}$	
Courant nominal :	12 V $\overline{=}$: 3 A 24 V $\overline{=}$: 1,5 A	
Puissance frigorifique :	-2 °C à +12 °C (28,4 °F to 53,6 °F)	
Capacité utile :	20 l	30 l
Classe climatique :	N	
Température ambiante :	+16 °C à +32 °C (60,8 °F to 89,6 °F)	
Humidité de l'air :	max. 90 %	
Angle de gîte permanent :	max. 30°	
Quantité de fluide frigorigène :	35 g (1,2 oz)	42 g (1,5 oz)
Équivalent CO ₂ :	0,050 t (110,23 lbs)	0,060 t (132,28 lbs)
Potentiel d'effet de serre (GWP) :	1430	
Dimensions :	fig. 1 , page 3	
Poids :	16,7 kg (36,8 lbs)	18 kg (39,7 lbs)
Contrôle/certificats :		

Le circuit de refroidissement contient du R134a.

Contient des gaz à effet de serre fluorés

Équipement hermétiquement scellé

Lea atentamente este manual antes de la puesta en funcionamiento del aparato y consérvelo en un lugar seguro para futuras consultas. En caso de vender o entregar el aparato a otra persona, entregue también estas instrucciones.

El fabricante declina toda responsabilidad por los daños causados por **el uso inadecuado** o por el **uso incorrecto** del aparato.

Índice

1	Explicación de los símbolos	31
2	Indicaciones de seguridad	32
3	Contenido del envío	34
4	Uso adecuado	34
5	Descripción técnica	35
6	Montaje	35
7	Manejo.	36
8	Limpieza y mantenimiento	38
9	Garantía legal	39
10	Eliminación	39
11	Solución de averías.	39
12	Datos técnicos.	42

1 Explicación de los símbolos



¡ADVERTENCIA!

Indicación de seguridad: su incumplimiento puede acarrear la muerte o graves lesiones.



¡ATENCIÓN!

Indicación de seguridad: su incumplimiento puede acarrear lesiones.

**¡AVISO!**

Su incumplimiento puede acarrear daños materiales y perjudicar el correcto funcionamiento del producto.

**NOTA**

Información adicional para el manejo del producto.

2 Indicaciones de seguridad

2.1 Seguridad general

**¡ADVERTENCIA!**

- No ponga el aparato en funcionamiento si presenta desperfectos visibles.
- Si se daña el cable de conexión del aparato, éste deberá ser reemplazado por el fabricante, su servicio de atención al cliente o una persona cualificada para evitar así posibles peligros.
- Sólo personal especializado puede realizar reparaciones en el aparato. Las reparaciones realizadas indebidamente pueden dar lugar a situaciones de considerable peligro.
- Los niños mayores de 8 años y las personas de capacidad física, sensorial o mental disminuida, así como aquellas personas con falta de experiencia y/o conocimientos suficientes solo podrán utilizar este aparato si están vigilados o han sido instruidos respecto al uso seguro del aparato y a los posibles peligros que pueden emanar de él.
- Los niños solo podrán realizar las tareas de limpieza y mantenimiento bajo vigilancia.
- Los niños no están autorizados a jugar con el aparato.
- Se ha de vigilar a los niños para garantizar que no usen este aparato como juguete.
- Mantenga y utilice el aparato fuera del alcance de los niños menores de 8 años.
- No guarde en el aparato sustancias con peligro de explosión como, p. ej., atomizadores con gases combustibles.

**¡ATENCIÓN!**

- Desconecte el aparato de la red
 - antes de realizar cualquier tarea de limpieza y mantenimiento;
 - después de cada uso.
- Los alimentos sólo se pueden guardar en los envases originales o en recipientes adecuados.

**¡AVISO!**

- Compare el valor de tensión indicado en la placa de características con el suministro de energía existente.
- Conecte el aparato únicamente con el cable de alimentación CC a una caja de enchufe CC en el vehículo.
- No extraiga nunca la clavija de la caja de enchufe tirando del cable de conexión.
- Desconecte de la batería el aparato refrigerador u otros dispositivos consumidores si va a conectar un cargador rápido.
- Desconecte la conexión o apague el aparato cuando apague el motor. De lo contrario podrá descargarse la batería.
- Este aparato refrigerador no es apto para transportar sustancias corrosivas o disolventes.
- Este aislamiento de este aparato refrigerador contiene ciclopentano inflamable. Los gases presentes en el material aislante requieren un proceso de eliminación especial. Elimine debidamente el aparato al final de su vida útil.

2.2 Seguridad durante el funcionamiento del aparato

**¡ATENCIÓN!**

- Antes de la puesta en funcionamiento, asegúrese de que el cable de alimentación y la clavija de enchufe estén secos.

**¡AVISO!**

- No utilice ningún aparato eléctrico dentro de la nevera, a no ser que el aparato en cuestión haya sido recomendado para ello por el fabricante.
- No coloque el aparato cerca de llamas vivas ni de otras fuentes de calor (calefacción, radiación directa del sol, estufas de gas, etc.).

- **¡Peligro de sobrecalentamiento!**
Asegúrese todo el tiempo de que el calor producido durante el funcionamiento se puede desalojar adecuadamente. Asegúrese de que el aparato guarda la suficiente distancia con las paredes u objetos, de forma que el aire pueda circular.
- Procure que no se obstruyan las ranuras de ventilación.
- No introduzca líquidos ni hielo en el contenedor interior.
- No sumerja nunca el aparato en agua.
- Proteja el aparato y los cables del calor y de la humedad.
- Para el funcionamiento en un camión:
Vacíe la nevera y apague el aparato (véase capítulo “Desconexión de la nevera” en la página 37), antes de bascular la cabina del conductor.

3 Contenido del envío

Cantidad	Descripción
1	Cajón nevera
4	Escuadra de sujeción
1	Manual de instrucciones

4 Uso adecuado

Los cajones nevera CD 20 y CD 30 son aptos para su uso portátil en camiones, embarcaciones o caravanas y han sido diseñados para funcionar con un ángulo de escora constante de 30° como máximo.

La potencia de refrigeración óptima viene dada con una temperatura ambiente entre +16 °C (60,8 °F) y +32 °C (89,6 °F) y una humedad del aire del 90 % como máximo.



NOTA

Consulte con el fabricante antes de someter esta nevera a condiciones de funcionamiento extremas.



¡ATENCIÓN! ¡Riesgo para la salud!

- Compruebe si la potencia de refrigeración del aparato cumple las exigencias de los alimentos o medicamentos que desea enfriar (véase capítulo “Datos técnicos” en la página 42).
- Los alimentos sólo se pueden guardar en los envases originales o en recipientes adecuados.

5 Descripción técnica

Estas neveras pueden enfriar o mantener fríos productos en un rango de temperatura entre $-2\text{ }^{\circ}\text{C}$ ($28,4\text{ }^{\circ}\text{F}$) y $+12\text{ }^{\circ}\text{C}$ ($53,6\text{ }^{\circ}\text{F}$).

La nevera está equipada con un dispositivo controlador de la batería, que apaga y enciende el compresor para proteger la batería y el compresor frente a posible daños. En el capítulo capítulo “Datos técnicos” en la página 42 se detallan los puntos de conexión y desconexión medidos en los bornes de conexión del compresor.

5.1 Elementos de mando

N.º en fig. 2 , página 3	Explicación
1	Termostato

6 Montaje



¡AVISO!

- Preste atención de que el cable positivo se conecta al polo positivo y el cable negativo al polo negativo.
- A la hora de elegir el lugar de montaje, asegúrese de que el aire caliente que produce el licuefactor se evacúe correctamente.



NOTA

A fin de evitar pérdidas de tensión, y por lo tanto de potencia, el cable debería ser lo más corto posible y sin interrupciones. Por lo tanto, evite instalar interruptores adicionales, enchufes o cajas de distribución.

Para ello tenga en cuenta las siguientes indicaciones:

- ▶ Determine la sección necesaria del cable dependiendo de su longitud según fig. **5**, página 5.

Leyendas para fig. **5**, página 5

Eje de coordenadas	Significado	Unidad
l	Longitud del cable	m
∅	Sección del cable	mm ²

Si es posible, conecte el aparato refrigerador directamente a los bornes de la batería o de lo contrario a una conexión de como mínimo 15 A (12 V); 7,5 A (24 V).

- ▶ Para fijar correctamente el refrigerador en el lugar de montaje, utilice los puntos de atornilladura dispuestos en los laterales del aparato:
 - CD 20, véase fig. **3**, página 4.
 - CD 30, véase fig. **4**, página 5.

7 Manejo



NOTA

Por razones de higiene, debería limpiar el nuevo aparato por dentro y por fuera con un paño húmedo antes de ponerlo en funcionamiento (véase también capítulo “Limpieza y mantenimiento” en la página 38).

7.1 Consejos para el ahorro de energía

- Elija un lugar de emplazamiento correctamente ventilado y protegido de la radiación solar.
- Antes de introducir alimentos calientes, deje que se enfríen.
- Evite abrir la nevera más de lo necesario.
- No deje la nevera abierta más tiempo del que sea necesario.
- Descongele el refrigerador cuando se forme una capa de escarcha.
- Evite utilizar temperaturas bajas innecesarias.
- Elimine regularmente las impurezas del condensador (polvo, etc.).

7.2 Conexión de la nevera

- Abra el cajón de la nevera.
- Para conectar la nevera, gire la rueda del termostato (véase fig. **2** 1, página 3) en el sentido de las agujas del reloj.
- ✓ La nevera empezará a refrigerar el interior.



NOTA

Asegúrese de que en la nevera solo hay objetos o productos que puedan enfriarse o calentarse a la temperatura seleccionada.

7.3 Selección de la temperatura

La rueda de selección del termostato (véase fig. **2** 1, página 3) indicará el rango de temperatura seleccionado.

Posición de la rueda de selección	Rango de temperatura (depende de la temperatura del entorno)	
	CD20	CD30
MAX	aprox. $-2\text{ }^{\circ}\text{C}$ ($28,4\text{ }^{\circ}\text{F}$) en el espacio interior	
MIN	aprox. $+12\text{ }^{\circ}\text{C}$ ($53,6\text{ }^{\circ}\text{F}$) en el espacio interior	

- Si desea seleccionar una temperatura para enfriar, gire la rueda de selección del termostato (véase fig. **2** 1, página 3) hasta alcanzar la temperatura deseada.

7.4 Desconexión de la nevera



NOTA

Si no va a utilizar el aparato refrigerador durante un largo periodo de tiempo, límpielo y deje el cajón ligeramente abierto. De este modo evitará la aparición de olores desagradables.

- Abra el cajón de la nevera.
- Para desconectar la nevera, gire la rueda de selección del termostato (véase fig. **2** 1, página 3) a la posición "0".
- ✓ La nevera está desconectada.
- Si va a dejar sin funcionamiento la nevera, desconecte el cable de conexión de la batería.

7.5 Desconectar

Es posible que el vapor de la humedad del aire se deposite en forma de escarcha en el interior del refrigerador, disminuyendo de este modo la capacidad de enfriamiento. Por este motivo, descongele regularmente el aparato.



¡AVISO!

Jamás retire la capa de escarcha con un objeto duro o puntiagudo ya que de lo contrario podría dañar el recubrimiento sintético o el evaporador.

- Saque los productos del interior y, si fuese necesario, colóquelos en otro refrigerador para mantener la temperatura de éstos.
- Apague el refrigerador (véase capítulo “Desconexión de la nevera” en la página 37) y deje el cajón abierto.
- Seque el agua de condensación formada o, en caso de disponer, vacíe la bandeja colectora de agua de condensación.

8 Limpieza y mantenimiento



¡ADVERTENCIA!

Desconecte el aparato de la red antes de proceder con la limpieza o el mantenimiento del mismo.



¡AVISO! ¡Peligro de ocasionar daños materiales!

- Nunca limpie la nevera bajo el chorro de agua corriente ni inmersa en agua jabonosa.
- No emplee productos de limpieza corrosivos u objetos que puedan arañar o deteriorar el aparato durante su limpieza.

- Limpie de vez en cuando el interior y el exterior de la nevera con un paño húmedo.
- Asegúrese de que las aberturas de ventilación y desaireación del aparato están limpias de polvo para que se pueda evacuar el calor generado durante el funcionamiento y el aparato no resulte perjudicado.

9 Garantía legal

Rige el plazo de garantía legal. Si el producto presenta algún defecto, diríjase a la sucursal del fabricante de su país (ver direcciones en el dorso de estas instrucciones) o a su establecimiento especializado.

Para la tramitación de la reparación y de la garantía debe enviar también los siguientes documentos:

- una copia de la factura con fecha de compra,
- el motivo de la reclamación o una descripción de la avería.

10 Eliminación

► Deseche el material de embalaje en el contenedor de reciclaje correspondiente.



Cuando vaya a desechar definitivamente el producto, infórmese en el centro de reciclaje más cercano o en un comercio especializado sobre las normas pertinentes de eliminación de materiales.

11 Solución de averías



¡ADVERTENCIA!

Las reparaciones en el aparato solamente pueden ser realizadas por personal cualificado. Las reparaciones inadecuadas pueden dar lugar a situaciones de peligro considerable.

El compresor no funciona

Síntoma	Causa posible	Solución
$U_{BR}=0$ Volt	Interrupción en la línea de conexión entre la batería y la electrónica	Establezca la conexión.
	El interruptor principal está averiado (si existe).	Cambie el interruptor principal.
	Se ha quemado el fusible adicional del cable (si existe).	Cambie el fusible del cable.
$U_{BR} \leq U_{CON}$	Tensión de la batería insuficiente	Cargue la batería.

Síntoma	Causa posible	Solución
En el intento de arranque: $U_{BR} \leq U_{DESC}$	Unión del cable suelta Contacto defectuoso (corrosión)	Establezca la conexión.
	Capacidad de la batería insuficiente	Cambie la batería.
	Sección del cable insuficiente	Cambie el cable (fig. 5 , página 5).
En el intento de arranque: $U_{BR} \geq U_{CON}$	Temperatura ambiente demasiado alta	–
	Ventilación insuficiente	Cambie la ubicación de la nevera.
	Suciedad en el condensador	Limpie el condensador.
Interrupción eléctrica entre los pernos del compresor	Interrupción en la línea de conexión entre la batería y la electrónica	Establezca la conexión.

U_{BR} Tensión entre el borne negativo y positivo del sistema electrónico

U_{CON} Tensión de conexión del borne de conexión del sistema eléctrico véase capítulo “Descripción técnica” en la página 35)

U_{DESC} Tensión de desconexión del borne de conexión del sistema eléctrico véase capítulo “Descripción técnica” en la página 35)

Temperatura del interior demasiado baja para la posición “MIN” del termostato

Síntoma	Causa posible	Solución
El compresor funciona continuamente	El sensor del termostato no hace contacto con el evaporador	Apriete el sensor
	Cortocircuito en el cable del termostato	Reemplazar el termostato
	Termostato defectuoso	
El compresor permanece en funcionamiento demasiado tiempo	En el cajón del evaporador se ha congelado una gran cantidad	

La capacidad de enfriamiento se reduce, aumenta la temperatura interior

Síntoma	Causa posible	Solución
El compresor permanece en funcionamiento demasiado tiempo/continuamente	El evaporador escarcha	Descongelar el evaporador
	El aislamiento interior no es suficiente (húmedo/mojado)	Reajustar/reemplazar la junta del cajón
	Temperatura del entorno demasiado alta	
	Ventilación insuficiente	Procure que la ventilación sea adecuada
	Suciedad en el condensador	Limpiar el condensador
	El ventilador está defectuoso (si existe)	Sustituir el ventilador
El compresor funciona raramente	Batería agotada	Cargar la batería


Formación de ruidos

Síntoma	Causa posible	Solución
Fuerte zumbido	Cuerpos extraños enganchados entre la nevera y la pared.	Retire el cuerpo extraño.
	Ruido del ventilador	–

Interferencias televisivas o radiofónicas en el vehículo

Síntoma	Causa posible	Solución
Perturbación de la recepción durante el funcionamiento del compresor	Compresor averiado	Sólo un servicio de asistencia técnica autorizado puede realizar las reparaciones.

12 Datos técnicos

	CD20	CD30
Tensión de conexión:	12 V $\overline{\text{---}}$ /24 V $\overline{\text{---}}$	
Tensión de desconexión:	10,4 V a 12 V $\overline{\text{---}}$ 22,8 V a 24 V $\overline{\text{---}}$	
Tensión de conexión:	11,7 V a 12 V $\overline{\text{---}}$ 24,2 V a 24 V $\overline{\text{---}}$	
Corriente nominal:	12 V $\overline{\text{---}}$: 3 A 24 V $\overline{\text{---}}$: 1,5 A	
Potencia de refrigeración:	de -2 °C a +12 °C (28,4 °F to 53,6 °F)	
Capacidad útil:	20 l	30 l
Categoría de clima:	N	
Temperatura ambiente:	+16 °C hasta +32 °C (60,8 °F to 89,6 °F)	
Humedad del aire:	máx. 90 %	
Ángulo de escora constante:	máx. 30°	
Cantidad de refrigerante:	35 g (1,2 oz)	42 g (1,5 oz)
Equivalente a CO ₂ :	0,050 t (110,23 lbs)	0,060 t (132,28 lbs)
Índice GWP:	1430	
Dimensiones:	fig. 11, página 3	
Peso:	16,7 kg (36,8 lbs)	18 kg (39,7 lbs)
Inspección/certificados:		

El circuito de refrigeración contiene R134a.

Contiene gases de efecto invernadero fluorados

Aparato sellado herméticamente

GERMANY**Dometic WAECO International GmbH**

Hollefeldstraße 63 · D-48282 Emsdetten
 ☎ +49 (0) 2572 879-0 · 📠 +49 (0) 2572 879-300
 Mail: info@dometic-waeco.de

dometic.com**AUSTRALIA****Dometic Australia Pty. Ltd.**

1 John Duncan Court
 Varsity Lakes QLD 4227
 ☎ 1800 212121
 ☎ +61 7 55076001
 Mail: sales@dometic.com.au

AUSTRIA**Dometic Austria GmbH**

Neudorferstraße 108
 A-2353 Guntramsdorf
 ☎ +43 2236 908070
 📠 +43 2236 90807060
 Mail: info@dometic.at

BENELUX**Dometic Branch Office Belgium**

Lourdesstraat 84
 B-8940 Geluwe
 ☎ +32 2 3598040
 📠 +32 2 3598050
 Mail: info@dometic.be

BRAZIL**Dometic DO Brasil LTDA**

Avenida Paulista 1754, conj. 111
 SP 01310-920 Sao Paulo
 ☎ +55 11 3251 3352
 📠 +55 11 3251 3362
 Mail: info@dometic.com.br

DENMARK**Dometic Denmark A/S**

Nordensvej 15, Taulov
 DK-7000 Fredericia
 ☎ +45 75585966
 📠 +45 75586307
 Mail: info@dometic.dk

FINLAND**Dometic Finland OY**

Mestariitie 4
 FIN-01730 Vantaa
 ☎ +358 20 7413220
 📠 +358 9 7593700
 Mail: info@dometic.fi

FRANCE**Dometic SAS**

ZA du Pré de la Dame Jeanne
 B.P. 5
 F-60128 Plailly
 ☎ +33 3 44633525
 📠 +33 3 44633518
 Mail: vehiculesdeloisirs@dometic.fr

HONG KONG**Dometic Group Asia Pacific**

Suites 2207-11 / 22/F - Tower 1
 The Gateway - 25 Canton Road,
 Tsim Sha Tsui - Kowloon
 ☎ +852 2 4611386
 📠 +852 2 4665553
 Mail: info@waeco.com.hk

HUNGARY**Dometic Zrt. Sales Office**

Kerekgyártó u. 5.
 H-1147 Budapest
 ☎ +36 1 468 4400
 📠 +36 1 468 4401
 Mail: budapest@dometic.hu

ITALY**Dometic Italy S.r.l.**

Via Virgilio, 3
 I-47122 Forlì (FC)
 ☎ +39 0543 754901
 📠 +39 0543 754983
 Mail: vendite@dometic.it

JAPAN**Dometic KK**

Maekawa-Shibaura, Bldg. 2
 2-13-9 Shibaura Minato-ku
 Tokyo 108-0023
 ☎ +81 3 5445 3333
 📠 +81 3 5445 3339
 Mail: info@dometic.jp

MEXICO**Dometic Mx, S. de R. L. de C. V.**

Circuito Médicos No. 6 Local 1
 Colonia Ciudad Satélite
 CP 53100 Naucalpan de Juárez
 Estado de México
 ☎ +52 55 5374 4108
 📠 +52 55 5393 4683
 Mail: info@dometic.com.mx

NETHERLANDS**Dometic Benelux B.V.**

Ecustraat 3
 NL-4879 NP Etten-Leur
 ☎ +31 76 5029000
 📠 +31 76 5029019
 Mail: info@dometic.nl

NEW ZEALAND**Dometic New Zealand Ltd.**

PO Box 12011
 Penrose
 Auckland 1642
 ☎ +64 9 622 1490
 📠 +64 9 622 1573
 Mail: customerservices@dometic.co.nz

NORWAY**Dometic Norway AS**

Østerøyveien 46
 N-3232 Sandefjord
 ☎ +47 33428450
 📠 +47 33428459
 Mail: firmapost@dometic.no

POLAND**Dometic Poland Sp. z o.o.**

Ul. Puławska 435A
 PL-02-801 Warszawa
 ☎ +48 22 414 3200
 📠 +48 22 414 3201
 Mail: info@dometic.pl

PORTUGAL**Dometic Spain, S.L.**

Branch Office em Portugal
 Rot. de São Gonçalo nº 1 – Esc. 12
 2775-399 Carcavelos
 ☎ +351 219 244 173
 📠 +351 219 243 206
 Mail: info@dometic.pt

RUSSIA**Dometic RUS LLC**

Komsomolskaya square 6-1
 RU-107140 Moscow
 ☎ +7 495 780 79 39
 📠 +7 495 916 56 53
 Mail: info@dometic.ru

SINGAPORE**Dometic Pte Ltd**

18 Boon Lay Way
 06-141 Trade Hub 21
 Singapore 609966
 ☎ +65 6795 3177
 📠 +65 6862 6620
 Mail: dometic@dometic.com.sg

SLOVAKIA**Dometic Slovakia s.r.o.**

Sales Office Bratislava
 Nádražná 34/A
 900 28 Ivánka pri Dunaji
 ☎/📠 +421 2 45 529 680
 Mail: bratislava@dometic.com

SOUTH AFRICA**Dometic (Pty) Ltd.**

Regional Office
 South Africa & Sub-Saharan Africa
 2 Avalon Road
 West Lake View Ext 11
 Modderfontein 1645
 Johannesburg
 ☎ +27 87 3530380
 Mail: info@dometic.co.za

SPAIN**Dometic Spain S.L.**

Avda. Sierra del Guadarrama, 16
 E-28691 Villanueva de la Cañada
 Madrid
 ☎ +34 91 833 60 89
 📠 +34 900 100 245
 Mail: info@dometic.es

SWEDEN**Dometic Scandinavia AB**

Gustaf Melins gata 7
 SE-42131 Västra Frölunda
 ☎ +46 31 7341100
 📠 +46 31 7341101
 Mail: info@dometicgroup.se

SWITZERLAND**Dometic Switzerland AG**

Riedackerstrasse 7a
 CH-8153 Rümlang
 ☎ +41 44 8187171
 📠 +41 44 8187191
 Mail: info@dometic.ch

UNITED ARAB EMIRATES**Dometic Middle East FZCO**

P. O. Box 17860
 S-D 6, Jebel Ali Freezone
 Dubai
 ☎ +971 4 883 3858
 📠 +971 4 883 3868
 Mail: info@dometic.ae

UNITED KINGDOM**Dometic UK Ltd.**

Dometic House, The Brewery
 Blandford St. Mary
 Dorset DT11 9LS
 ☎ +44 344 626 0133
 📠 +44 344 626 0143
 Mail: customerservices@dometic.co.uk

USA**Dometic RV Division**

1120 North Main Street
 Elkhart, IN 46515
 ☎ +1 574-264-2131