

INSTALLATION & OPERATING INSTRUCTIONS

RA/RM-1D
RA/RM-2D

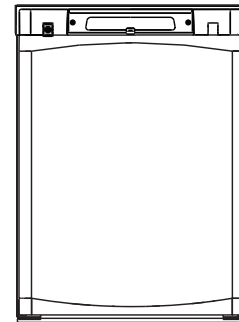


AES III

FOR YOUR SAFETY

If you smell gas:

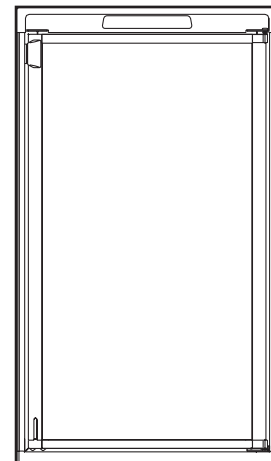
1. Open windows and door.
2. Don't touch electrical switches.
3. Extinguish any open flame.
4. Turn off the gas supply at the source.
5. Contact a qualified person.



RM2355

FOR YOUR SAFETY

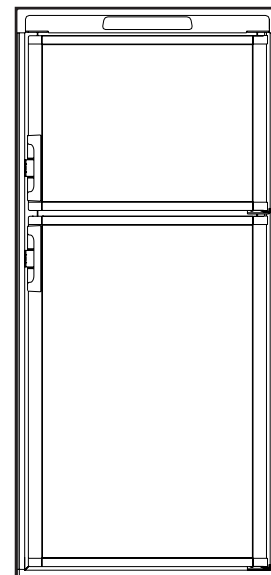
Do not store or use gasoline or other flammable vapors and liquids in the vicinity of this or any other appliance.



RM2455
RM2555

WARNING

Improper installation, adjustment, alteration, service or maintenance can cause injury or property damage. Refer to this manual. For assistance or additional information consult a qualified installer, service agency or the gas supplier.



RM4605
RM4805

INTRODUCTION

We are pleased that you have chosen this refrigerator and hope you will derive much satisfaction from using it.

The refrigerator is designed for installation in motorhomes and intended for storage of foods, frozen foods and making ice. It comes with **Automatic Energy Selector (AES)** which controls operation and energy supply. To put the refrigerator in operation, just trip the main switch - **AES** manages the rest.

Read this manual very carefully before using the refrigerator. Make sure to retain it for future reference. In this manual you will find information on how to install, operate and maintain your new appliance. To ensure good refrigeration and economical operation, the refrigerator has to be installed and used as described in these instructions.

The installation must be performed by an authorised person and in accordance with the manufacturers installation instructions, local gas fitting regulations, municipal building codes, electrical wiring regulations, AS5601 "Gas Installations" and any other statutory regulations.

TRANSIT DAMAGE

Before you install your refrigerator, ensure to remove all protective packaging. Check for any damage or marks. Transit damage must be reported to whoever is responsible for delivery not later than seven days after the refrigerator was delivered.

DATA PLATE

Check the data plate, inside the refrigerator, to ensure that you have received the right model.

Below you can make a note of the details stated on the data plate. It is a good idea to this since this information is needed if you have to contact service personnel. The data plate contains e. g. the following details:

Model designation	RM
Product number
Serial number
Voltage	230 - 240 volts
Gas pressure	2,70 kPa

CONTENTS

OPERATING INSTRUCTIONS	4
CONTROL PANEL	4
AES	4
STARTING THE REFRIGERATOR	4
LP GAS OPERATION	4
230-240V OPERATION	4
12V OPERATION	5
SWITCHING BETWEEN ENERGY SOURCES	5
REGULATING THE TEMPERATURE	5
TRAVEL CATCH	5
USING THE REFRIGERATOR	5
DEFROSTING	5
CLEANING THE REFRIGERATOR	5
AIRING POSITION CARD	6
REPLACING THE BULB	7
HEATING CABLE (RM4605 & RM4805)	7
TURNING OFF THE REFRIGERATOR	7
PRODUCT CARE - SOME USEFUL HINTS	7
TROUBLESHOOTING	7
MAINTENANCE	7
SERVICE AND SPARE PARTS	7
INSTALLATION INSTRUCTIONS	8
GENERAL INFORMATION	8
VENTILATION OF THE UNIT	8
TECHNICAL DATA	9
CONNECTING POINTS	10
BUILDING-IN	12
SECURING THE REFRIGERATOR	12
DRAIN WATER HOSE	13
CONNECTIONS	13
MOUNTING INSTRUCTIONS	15
APPENDIX A - REARVIEW EQUIPMENT	16
APPENDIX B - WIRING DIAGRAM	17
APPENDIX C - WORKING INSTRUCTIONS FOR THE GAS SAFETY SYSTEM	19

OPERATING INSTRUCTIONS

CONTROL PANEL

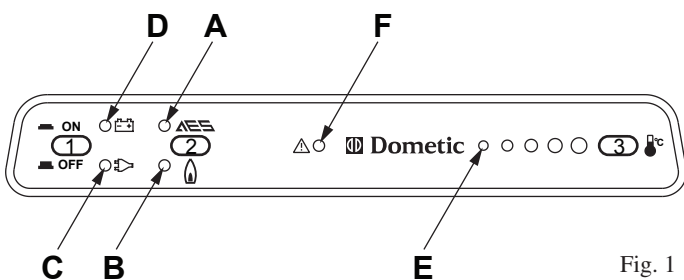


Fig. 1

- | | |
|--------------------------------------|---|
| 1. ON/OFF button (main power button) | A. AES mode indicator lamp |
| 2. AES/GAS mode selector button | B. GAS mode indicator lamp |
| 3. Temperature selector button | C. AC mode indicator lamp |
| | D. DC mode indicator lamp |
| | E. Temperature indicator lamp |
| | F. Warning indicator lamp (gas failure) |

AES

The refrigerator is equipped with an Automatic Energy Selector (AES) controlling the operation and energy supply.

NOTE! 12V must always be available to supply the electronics.

The system selects the available energy source in the order:

1. 230-240V
2. 12V
3. ULP gas

Turn off the AES function if you want the refrigerator to run on ULP gas only.

STARTING THE REFRIGERATOR

WARNING

Whilst mobile:

- Do not operate the refrigerator on ULP gas
- Turn off the gas bottle.

1. Press the ON/OFF button (1). The refrigerator starts in the mode it was in when it was turned off.
2. Press the AES/GAS button (2) and LED (A) or (B) comes on. Select AES or ULP gas only by pressing the AES/GAS button (2) once if necessary.
3. If a 230V-240V mains supply is available:
 - AES selects this as the energy source and LEDs (A) and (C) come on.
 - When the vehicle's engine is running, AES selects 12V operation and LEDs (A) and (D) are illuminated unless ULP gas only operation has been selected manually.

If neither mains nor a 12V battery supply are available:

- AES selects ULP gas operation and LEDs (A) and (B) come on.

ULP gas-only operation can be selected by pressing the AES/GAS button (2) until LED (B) comes on; the AES function is then turned off and LED (A) goes out. The Temperature selector button (3) is used to set the electronic thermostat. The LEDs (E) show the value set on the thermostat.

UNIVERSAL LP GAS OPERATION

AES will select ULP gas operation under the following conditions:

- No AC (230-240V) available
- Engine not running (no high current at 12V DC available)

When the system chooses ULP gas operation, the flame failure device is automatically opened, allowing the gas to flow to the burner. At the same time, the electronic igniter is energized.

After initial installation, servicing, or changing gas cylinders etc., the gas pipes may contain some air that should be allowed to escape by briefly turning on the refrigerator or other appliances. This will ensure that the flame lights immediately.

If the flame goes out (by gust of wind etc.), the reigniter will automatically relight the flame.



The control electronics and the igniter must have 12V DC (battery) supply to operate!

UNIVERSAL LP GAS TROUBLESHOOTING

If the Warning indicator lamp (F) is lit, there has been a failure of gas operation.

To troubleshoot, follow these steps:



1. Turn off the refrigerator. (Press the ON/OFF (1) to "OFF".)
2. Check that there is enough gas in the gas bottle, that its valve is open and that any valves in the gas line to the refrigerator are open.
3. Turn on the refrigerator again. (Press the ON/OFF button (1) to "ON".) After 10 sec. AES will repeat the ignition sequence.
4. Should the warning lamp come on again after approx. 6 minutes, the failure is still present. Repeat the procedure *once* more. If this does not help, contact an authorised service provider in your area.

ABNORMAL OPERATION

Any of the following are considered to be abnormal operation and may require servicing:

- Yellow tipping of the burner flame.
- Sooting up area surrounding burner.
- Burner not igniting properly.
- Burner failing to remain alight.

In case the appliance fails to operate correctly, contact an authorised Dometic Service Centre.

230-240V OPERATION

When a mains connection is available, AES will select this. Please note, that even being in AC mode, 12V DC is necessary for the internal supply of the electronics.

12V OPERATION

AES will select the 12V mode of operation as soon as the vehicle engine is running (detected by the alternator connection of the fridge D+).

If the 12V DC goes down below 9V DC, the system will shut down completely.

SWITCHING BETWEEN ENERGY SOURCES

When switching from one energy source to another, there are some delays implemented in the AES system. The 15 min. delay between switching off the engine and starting gas mode is intended to delay the starting of gas mode e.g. when stopping at a filling station.

WARNING

It is not allowed to have a naked flame at a gas filling station. If you are not sure, that your stop is shorter than 15 min., you are advised to set the ON/OFF switch (1) to "OFF", when stopping at a filling station.

REGULATING THE TEMPERATURE

The position number refers to Fig.1.

It will take a few hours for the refrigerator to reach normal operating temperature. So we suggest you start it well in advance of a trip and if possible store it with precooled foodstuffs.

The temperature of the refrigerator main compartment is set for all three sources of energy, by means of the Temperature selector button (3). After turning on the refrigerator the system automatically chooses the mid-position. With some experience you will soon find a suitable setting, bigger circles indicate lower temperatures. This normally does not need resetting because the same thermostat controls the main compartment temperature for any of the three sources of energy.

TRAVEL CATCH

Make sure that the travel catch is engaged when the motorhome is on the move.

USING THE REFRIGERATOR

WARNING

DO NOT store explosive substances in the refrigerator, such as cigarette lighter gas, gasoline, ether or the like.

FOOD STORAGE

Always keep food in closed containers. Never put hot food in the refrigerator; allow it to cool first.

The frozen food compartment is intended for the storage of frozen food and for making ice. Most kinds of frozen food can be stored in the frozen food compartment for about a month. This period of time may vary, however, and it is important to follow the instructions on the individual packages.

ICE MAKING

Fill the ice tray to just below the brim with drinking water and place them on the bottom of the freezer compartment. Ice will be made more rapidly if the thermostat is set at its highest position (biggest circle), but be sure to move the thermostat back to normal setting when the ice is formed; the refrigerator might otherwise become too cold.

DEFROSTING

Frost will gradually accumulate on the refrigerating surfaces. Each time the door is opened some of the cold air in the refrigerator spills out and is replaced by warm moist room air. As this air is cooled, the moisture is deposited onto the evaporator coils or other cold surfaces inside the refrigerator and can cause frost build-up.

It is important that you do not leave the unit's door open any longer than necessary. This will reduce frost formation and increase the efficiency of your refrigerator.

The frost must not be allowed to grow too thick as it acts as an insulator and adversely affects refrigerator performance. Check the formation of frost regularly every week and when it gets about 3 mm thick, defrost the refrigerator.

Do not try to accelerate defrosting by using any kind of heating appliance, as this might damage the plastic surfaces of the refrigerator. Neither should any sharp objects be used to scrape off the ice.



To defrost the refrigerator, follow these steps:



1. Turn off the refrigerator. (Press the ON/OFF button (1) to "OFF".)
2. Empty the refrigerator.
3. Leave the drip tray under the finned evaporator.
4. Leave the cabinet and freezer door open. Defrost water runs from the drip tray through a plastic drain water hose to the outside of the vehicle.
5. When all the frost has melted - dry the interior of the refrigerator with a clean cloth and replace the ice trays.
6. Turn on the refrigerator. Set the thermostat to the coldest position for a few hours and then, reset to the desired setting.
7. Place the food items back inside.

CLEANING THE REFRIGERATOR

Clean the inside of the refrigerator regularly to keep it fresh and hygienic.

Never use detergents, scouring powder, strongly scented products or wax polish to clean the interior of the refrigerator as they may damage the surfaces and leave a strong odour.



Soak a cloth in a solution consisting of a teaspoon of bicarbonate of soda to half a litre of warm water. Wring out the cloth and use it to clean the interior of the refrigerator and its fittings.

The exterior of the refrigerator should be wiped clean now and then, using a damp cloth and a small quantity of detergent. But not the door gasket, which should only be cleaned with soap and water and then thoroughly dried.

The cooling unit behind the refrigerator should be cleaned with a brush from time to time. Make sure that the refrigerator is switched off when doing this!

AIRING POSITION CARD

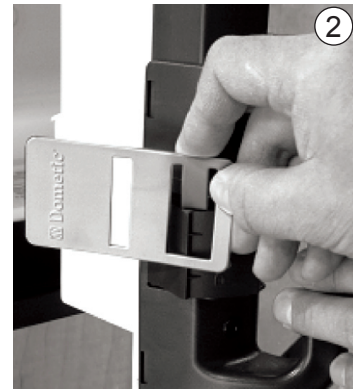
Use the **Airing Position Card** to keep the doors ajar if the refrigerator will not be in use for an extended period of time or put in storage.



RM2455/RM2555



RM4605/RM4805



REPLACING THE BULB

To replace the bulb, follow these steps:



1. Remove the lamp cover.
RM4605/RM4805: Push the lamp cover backwards.
2. Replace the old bulb with an appliance bulb of the same wattage (12V, max 10W).
3. Replace the cover.

HEATING CABLE (RM4605 & RM4805)

During the summer months of high temperatures and humidity, the metal frame between the freezer and fresh food compartments may have water droplets forming. This refrigerator comes standard with a 12V DC heating cable that will evaporate the water droplets when they form.

To have the heating cable on, you position the switch located beneath the control panel to I, see Fig. 2. The heating cable can be left on continuously or only used when temperatures require it.

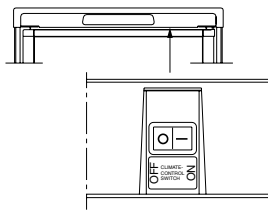


Fig. 2



The heating cable will draw 12V DC power continuously when in the ON (I) position. It should be turned off when a charging source is not available.

TURNING OFF THE REFRIGERATOR

If the refrigerator is not to be used for some time:



1. Turn off the refrigerator. (Press the ON/OFF button (1) to "OFF".)
2. Shut off any on-board valve in the gas line to the refrigerator.
3. Pull out the plug from the wall socket.
4. Empty the refrigerator. Defrost and clean it as described earlier. Leave the doors of the refrigerator and frozen food compartment ajar.

PRODUCT CARE - SOME USEFUL HINTS

Make sure that:

- Defrosting is carried out periodically.
- The refrigerator is clean and dry with the door left open when it is not to be used for some time.
- Liquids or items with a strong odour are well packed.
- The ventilation openings are unobstructed.
- The doors are secured by means of the travel catch when the motorhome is on the move.

TROUBLESHOOTING

IF THE REFRIGERATOR FAILS TO WORK

Before calling an authorised service technician:

- Ensure that the instructions in this manual have been followed.
- Check to make sure that the refrigerator is not tilted excessively.
- Verify that the LEDs on the control panel are lit when the ON/OFF button (1) is turned on. (12V must be available.)
- If the mains voltage are connected but the refrigerator stays in gas operation -> is the refrigerator correctly connected to the 240 volt power point and is it turned on.
- If the refrigerator does not operate in DC mode when the engine is running -> is the alternator (D+) connection made correctly?
- If the Warning indicator lamp (F) lights up -> see "GAS TROUBLESHOOTING" for further information.

THE REFRIGERATOR IS NOT COLD ENOUGH

If the refrigerator is not cold enough it may be because:

- The ventilation is inadequate owing to reduced area of the ventilation passages
- The evaporator is frosted up.
- The temperature control setting is incorrect.
- The gas pressure is incorrect - check the pressure regulator at the gas container.
- The ambient temperature is too high.
- Too much food is loaded at one time.
- The door is not properly closed or the magnetic sealing strip is defective.

If the refrigerator still does not work properly, call an authorised service technician.

WARNING

The sealed cooling system must not be opened, since it contains corroding chemicals under high pressure.

MAINTENANCE

- This appliance must be serviced by an authorised person. We recommend that an authorised service technician checks the refrigerator once a year.
- The "Installation and operating instructions manual" should always be available.
- Ensure that the gas safety shut-off valve is working properly.
- Make sure that the ventilation openings are unobstructed.
- See to it that the burner is clean and free from combustible material.
- All connections in the ULP gas system should be checked for gas leaks. Connections can be tested for leaks using a soap solution. **DO NOT use a naked flame!** If there is any suspicion of damage, call for an authorised service technician.

SERVICE AND SPARE PARTS

Service and spare parts are obtainable from your dealer or Dometic - consult the telephone directory.

INSTALLATION INSTRUCTIONS

GENERAL INFORMATION

The refrigerator is intended for installation in caravans & motor homes and the information relates to this application. A correct installation is important for correct operation of the appliance.

The refrigerator must be installed on a solid floor and must be level. With the vehicle levelled, the refrigerator should be level both ways in the freezer compartment.

Free air circulation over the fins of the cooling unit is essential.

VENTILATION OF THE UNIT

VENTILATION GRILLES

We recommend fitting the appropriate Dometic ventilation system which is specially developed by Dometic for this purpose. The Dometic ventilation grilles permit inspection and small repairs to be carried out without the necessity of removing the refrigerator from the recess.

If the lower grille is not at floor level where leaking gas can escape, a hole a minimum of 40 mm diameter should be made in the floor of the recess to drain any unburned gas to the outside.

SIDE VENTILATION

The refrigerator unit is ventilated via two openings in the wall of the vehicle, Fresh air enters through the lower opening and warm air is discharged through the upper vent.

The lower opening should be located at floor level to allow any leaking gas to escape to the outside. The upper ventilation opening should be located above the condenser, as high as possible, to ensure good ventilation.

ROOF VENTILATION

The ventilation of the cooling unit can also be done via one opening in the wall of the vehicle and one on the roof for the roof vent.

Fresh air enters through the lower opening and warm air is discharged through the roof vent. The lower opening should be located at floor level to allow any leaking gas to escape to the outside.

REMOVAL OF FLUE GASES

The ventilation passage at the rear of the recess, between the outer wall of the vehicle and the refrigerator must be sealed off against the living space, so cold draughts are excluded (winter camping) and **no flue gases can penetrate into the vehicle**.

The exhaust gases must be directed through the wall to the outside of the vehicle using a separate gas flue exhaust fitting, part number 3776 (see the following diagrams)

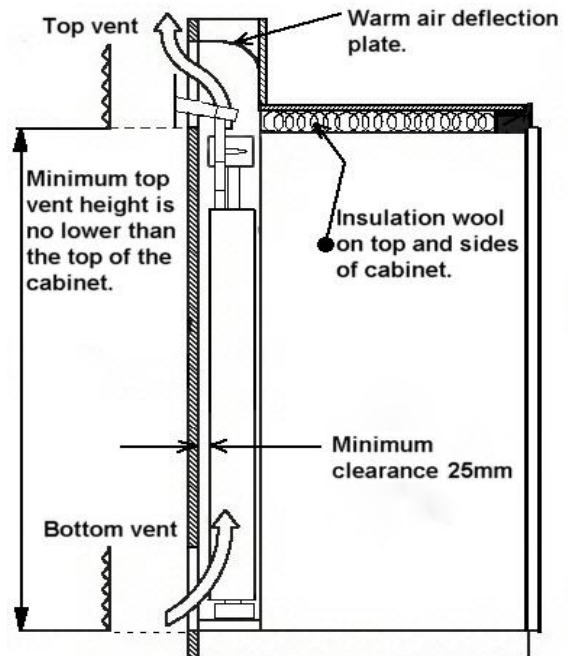
VENTILATION HEIGHTS



In high ambient temperatures the refrigeration unit will only perform adequately when properly ventilated

Recommended RM2355 ventilation system

Ventilation system not included



Ventilation kit not included

AS1625 vent kit



Tee Piece Kit



Extra Extensions



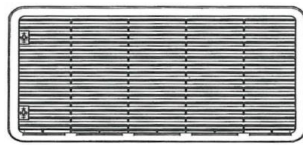
Ventilation components required are:
1 X AS1625 vent kit (top & bottom frames & vents) Includes the aluminium flue connection
1 X TP (Includes 1 x Tee piece & 1 x extension) extra extensions may be required dependent on the height of refrigerator and vent height. Part number TPX

Ventilation systems for refrigerators from 101 Litres up to 200 Litres and greater than 200Litres.Includes.

RM2455 RM2555 RM4605 RM4805

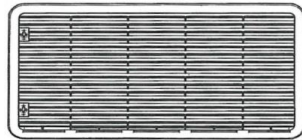
Option 1

LS300 vent and frame cut out required 490mm x 249mm. Each vent has open area of 667 cm²



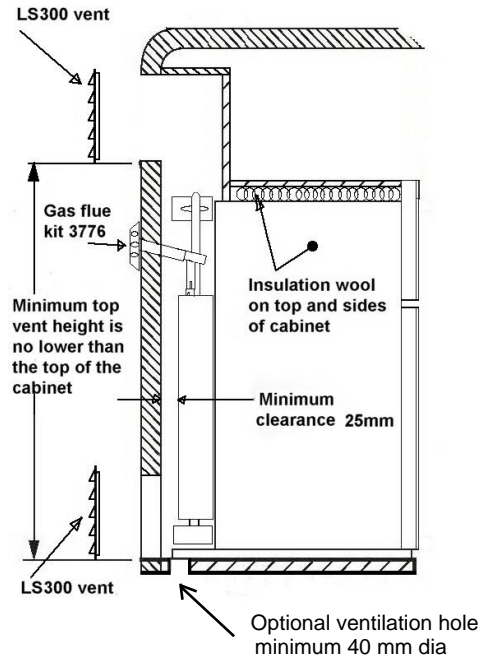
LS300

Gas flue kit # 3776



LS300

LS300 vent and frame cut out required 490mm x 249mm. Each vent has open area of 667 cm²



Option 2

Ventilation system not included

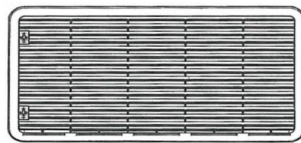
Roof Cap & roof base open ventilation area of 730 cm²



3311246.000

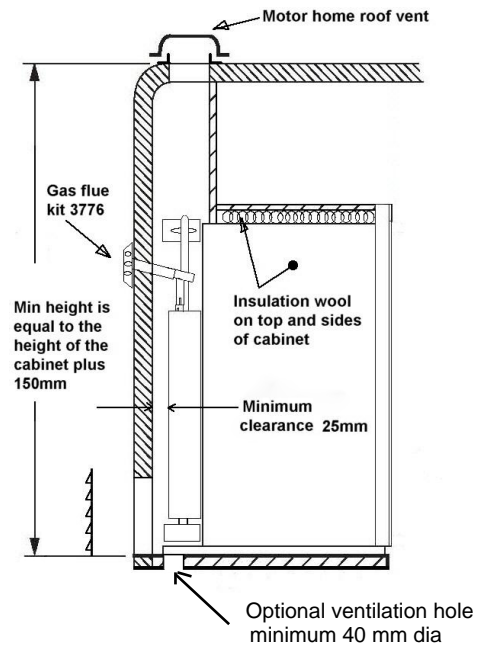
3311237.000

Gas flue kit # 3776



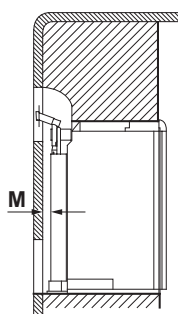
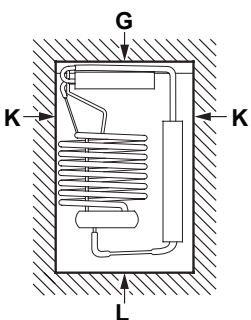
LS300

LS300 vent and frame cut out required 490mm x 249mm. Each vent has open area of 667 cm²



CLEARANCES

Minimum clearances (mm) to combustible materials			
Top	G	0	
Side	K	0	
Bottom	L	0	
Rear	M	25	



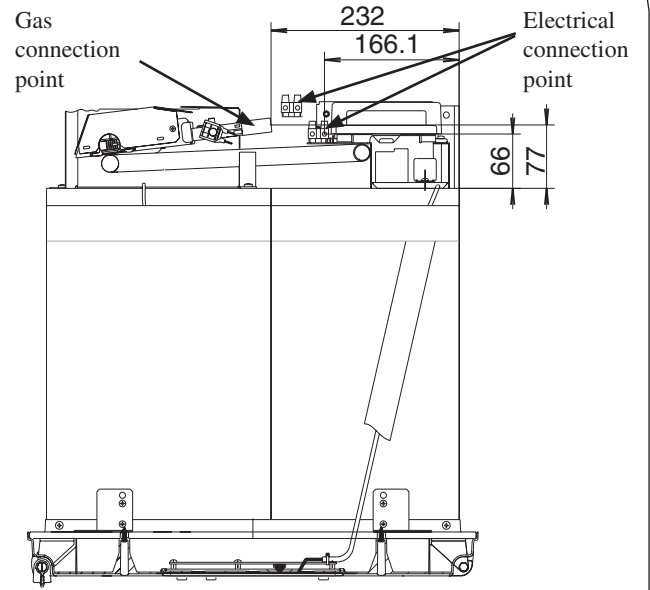
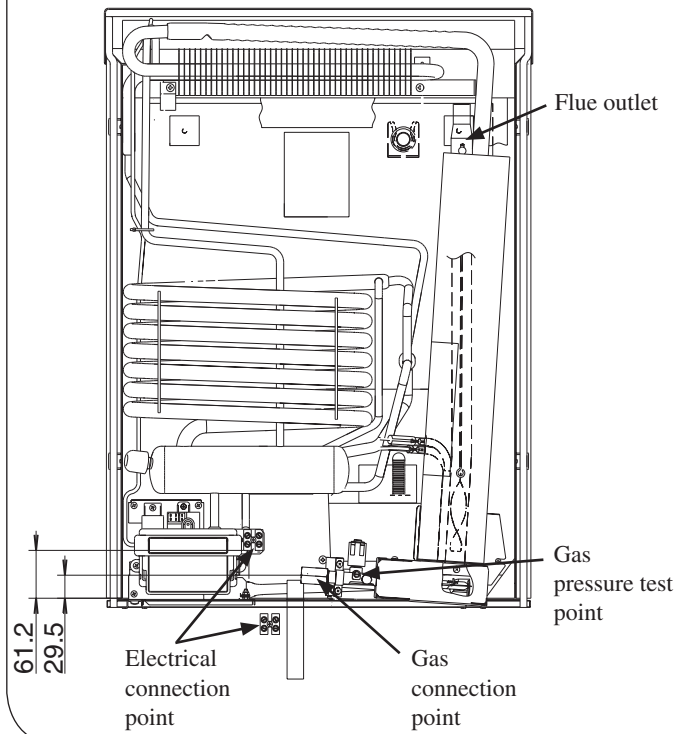
TECHNICAL DATA

	RM2355	RM2455	RM2555	RM4605	RM4805
OVERALL DIMENSIONS					
Height (mm)	766	948	1104	1385	1544
Width (mm)	556	632	632	632	632
Depth incl. cooling unit (mm)	577	627	627	627	627
RECESS DIMENSIONS					
Height (mm)	756	928	1083	1365	1522
Width (mm)	521	607	607	607	607
Depth (mm)	542	610	610	610	610
CAPACITY					
Gross (litres)	90	121	150	186	224
WEIGHT without packaging (kg)					
	29	39	44,5	56,5	58
ELECTRICAL DATA (watt)					
Input 240V	175	195	195	325	325
Input 12V	175	175	175	275	275
UNIVERSAL LP GAS DATA					
Input, max (MJ/h)	1.10	1.16	1.16	1.66	1.66

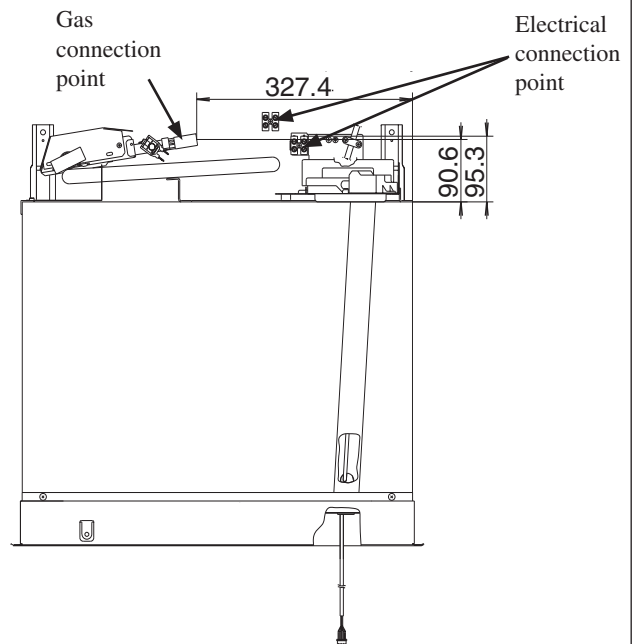
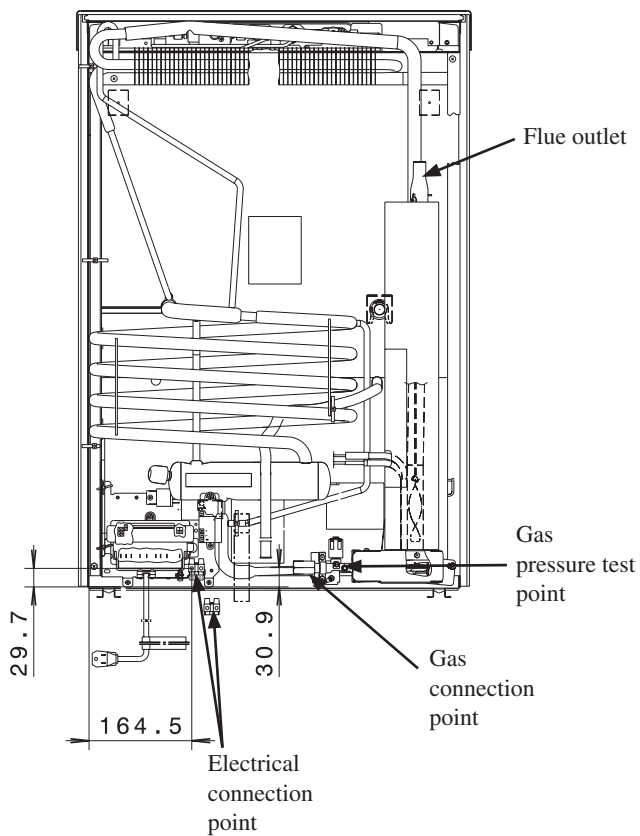
CONNECTING POINTS

Dimensions to connecting points (mm).

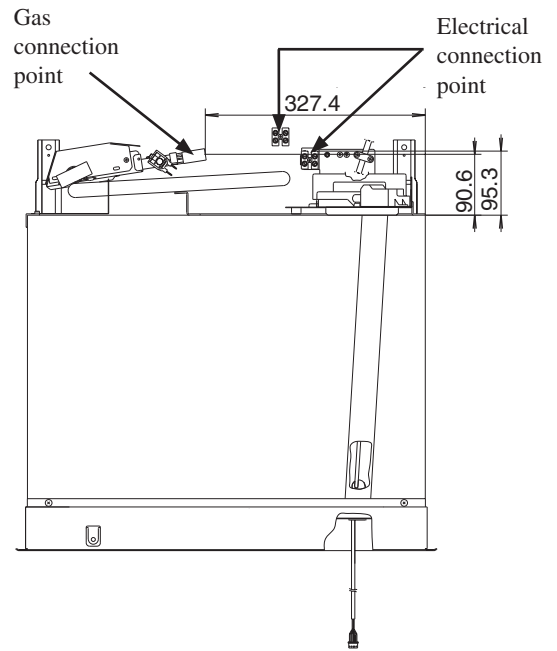
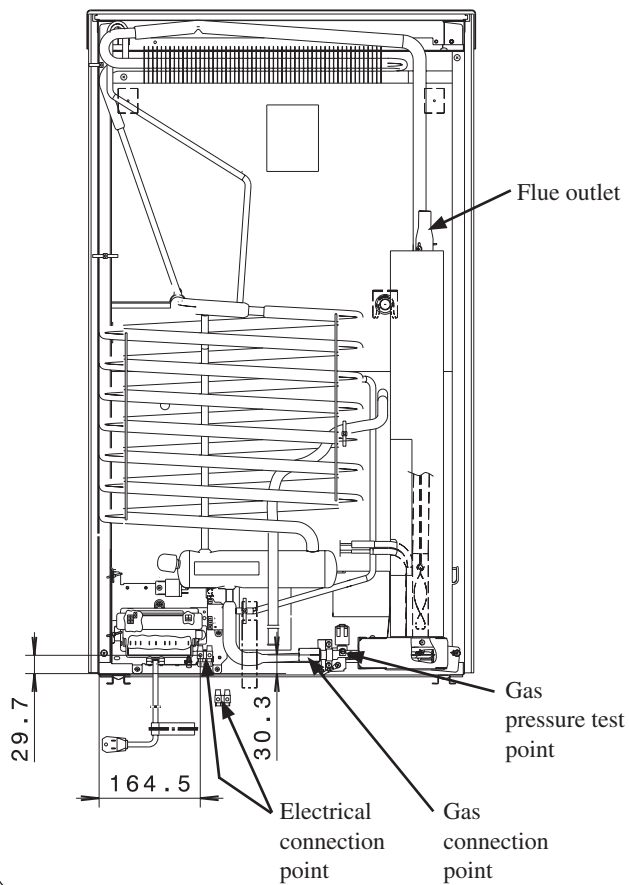
RM2355



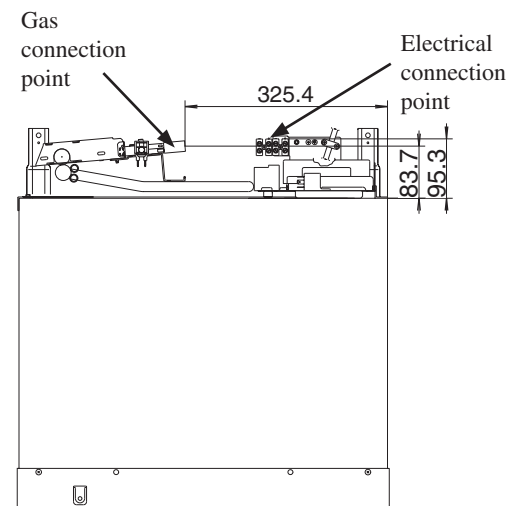
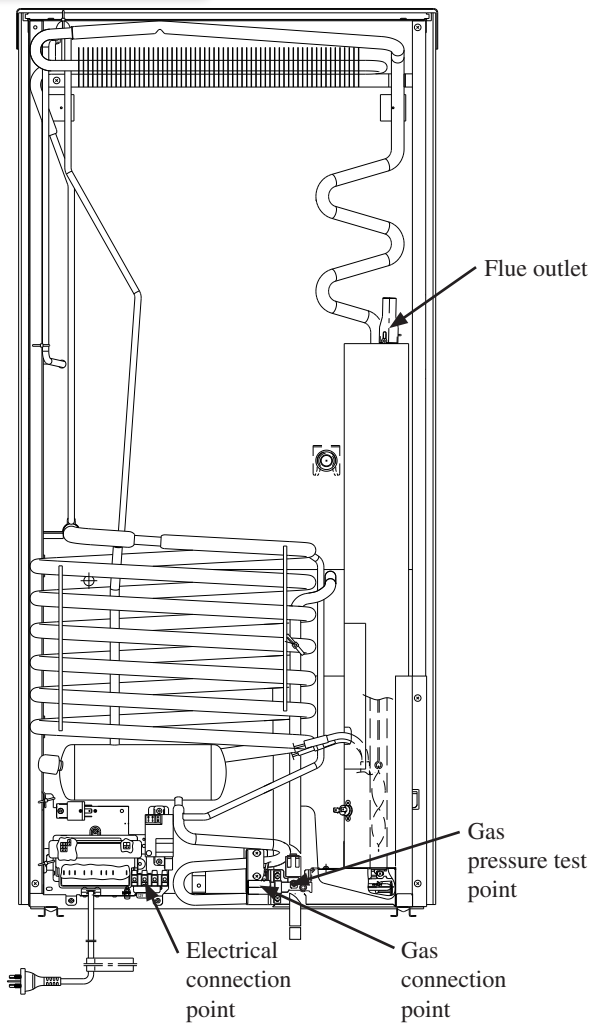
RM2455



RM2555



RM4605/RM4805



BUILDING-IN

The refrigerator must not be exposed to radiated heat from hot objects. Excessive heat irradiation impairs performance and leads to increased energy consumption. For this reason the refrigerator should be installed if possible not at the entrance side of the vehicle - normally orientated south and often with an awning which would impair the dispersion of heat and combustion gases from the ventilation openings.

It is not a good practice to install the refrigerator so that the vent openings are covered by the vehicle's entrance door when this is set open. This would reduce the ventilation airflow to the cooling unit and reduce refrigeration performance.

The refrigerator has to be installed in a substantial enclosure and must be level. For information about dimensions, see "TECHNICAL DATA".

The bottom of the enclosure must be horizontal and even so that the refrigerator can be easily pushed into place. It must be sturdy enough to carry the weight of the refrigerator.

A length of sealing strip is applied to the rear surface of the front frame for this purpose, see Fig. 8 / Fig. 9.

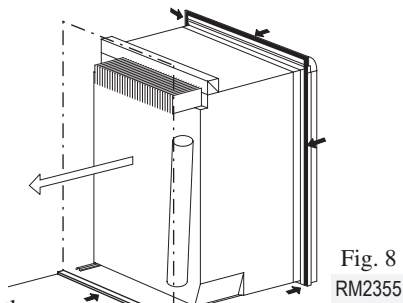


Fig. 8
RM2355

Apply a sealing strip to the foremost floor of the enclosure. the sealing should provide a complete isolation of the appliances combustion system from the vehicle interior

Make sure that there is a complete seal between the front frame of the refrigerator and top, sides and bottom of the enclosure.

Push the refrigerator into the recess until the sealing strip on the flange seals against the front of the recess, so that the cooling unit is completely sealed off against the interior of the vehicle.

Note! Be careful not to damage the sealing strip when the refrigerator is put in place.

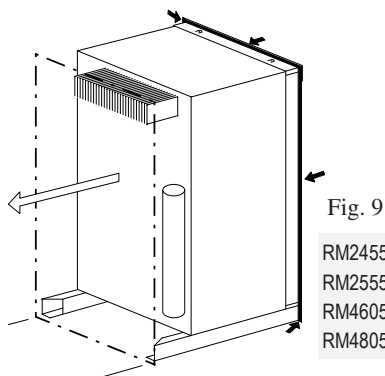


Fig. 9
RM2455
RM2555
RM4605
RM4805

RM2455, RM2555, RM4605 & RM4805

A wood strip must be in place across the upper opening of the enclosure. The top frame of the refrigerator will be anchored to the wood strip with screws.

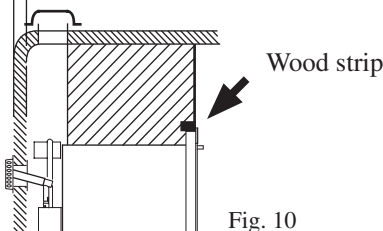


Fig. 10

SECURING THE REFRIGERATOR

For the best cooling performance, when installing refrigerator model:

- RM2355: The installer must block the space between the storage cabinet and the top of the refrigerator.
- RM2455/RM2555/RM4605 & RM4805: The installer must block any space between the counter, storage area or ceiling and top of the refrigerator greater than 40 mm.

Otherwise the heat will become trapped in this space, making the top of the refrigerator hot, thus reducing the efficiency of the unit.

After the refrigerator is put in place, insuring a combustion seal at the front frame, the refrigerator is to be secured in the enclosure with screws. (These screws are not included.)

Failure to follow the sequence in securing the refrigerator in enclosure can cause leakage between the frame and cabinet.

RM2355

The five screws should be installed in the following order:

1. Four screws installed through the front frame.
2. One screw installed in rear base.

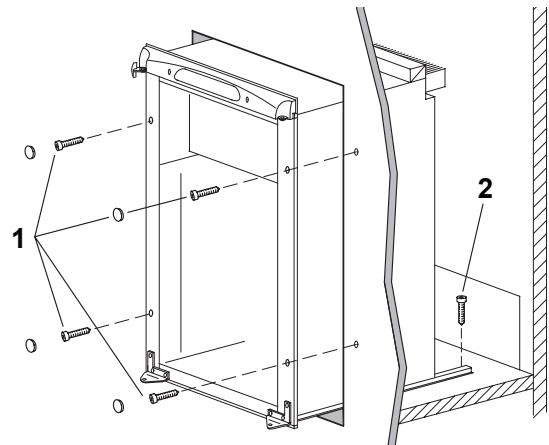


Fig. 11

RM2455, RM2555, RM4605 & RM4805

The six screws have to be installed in the following order:

1. Install two screws through the front base. The refrigerator is provided with a lower front strip (shipped as a loose part) which is to be attached after the refrigerator is set into the cutout opening.
 - a) Install the lower front strip by sliding it under the bottom hinge plate and swing it into place.

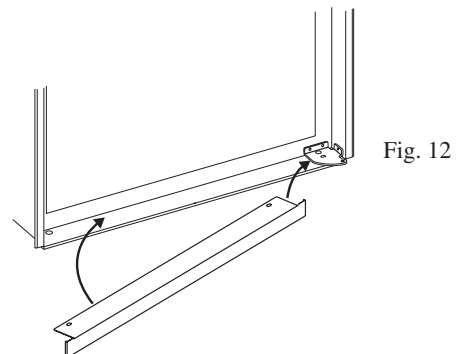


Fig. 12

(The hinge plate can be on the right or left side depending on the door swing.)

- b) Secure the refrigerator and the lower front strip with two screws: One screw through the hinge, and on the opposite side and then, one screw through the lower front strip, see Fig. 13.

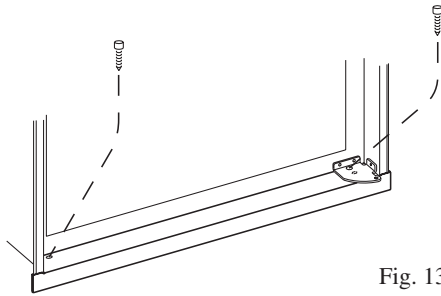


Fig. 13

2. Install two screws in the top frame.

- a) Remove the top decoration panel. Open the door and gently push the tabs out of the hole in the hinge with a flat blade screwdriver, (both sides), see Fig. 14.

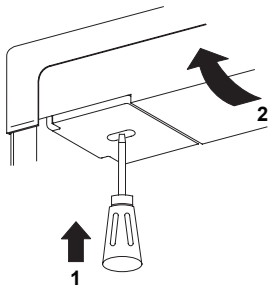


Fig. 14

- b) Carefully tilt the top decoration panel and lift up to remove from top frame. Be careful not to damage the circuit board and wires.
- c) Install the two screws in the top frame. (The holes are accessible from underneath.)
- d) Seal the opening for the screws with aluminium tape.
- e) Replace the top decoration panel. Be careful not to pinch the wires behind the panel. Make sure the tabs snap back into the holes in the hinge plate.
3. Install two screws in the rear base, see Fig. 15.

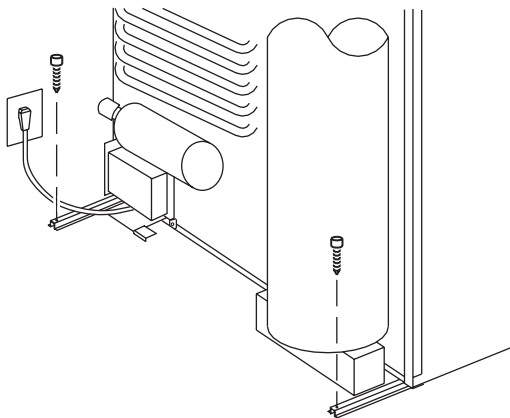


Fig. 15

DRAIN WATER HOSE

A hole must be drilled through flooring, see Fig. 16 / 17.

The installer has to make sure that the hose does not kink when run through the floor. Seal around the hose that goes through the drilled hole.

If a longer hose than supplied is required to get the water to drain outside of the vehicle, the installer will have to supply the extra length of hose.

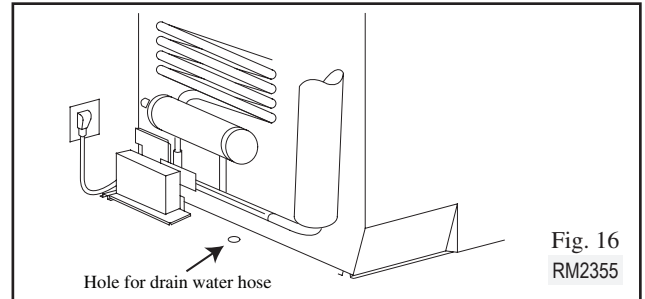


Fig. 16
RM2355

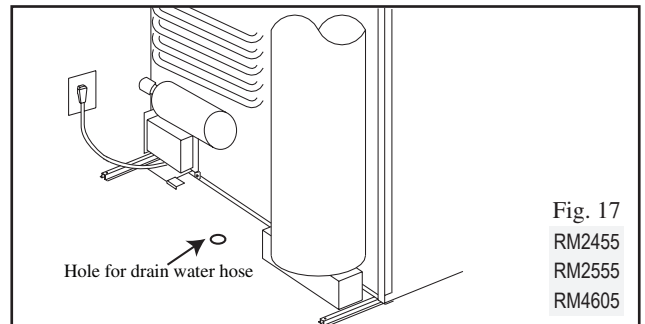


Fig. 17
RM2455
RM2555
RM4605

CONNECTIONS

UNIVERSAL LP GAS CONNECTION

The refrigerator is designed for operation on Universal LP gas.



Alternative gas types must not be used to operate this appliance!

The gas supply system must incorporate an approved gas pressure regulator to maintain a supply pressure of 2.75 kPa. The test point pressure must be 2.70 kPa. Check that this is stated on the data plate.

CAUTION

Check that the gas supplied to the refrigerator is at the correct pressure.

The gas installation and servicing must be carried out by an authorised person and conform to gas fitting regulations.

The appliance shall be installed in accordance with AS 5601-2 Gas Installations.

The gas supply pipe should be connected to the gas inlet connection at the rear of the refrigerator by means of a suitable threaded coupling.

The connection nipple is furnished with an ISO 7/1 - Rp 1/8 internal pipe thread connection.

In making the connection to the refrigerator, a union gas cock of an approved type bottled gas must be incorporated in the supply line in a position that is readily accessible to the user. For eventual servicing purposes, the union should be on the outlet side of the cock and the pipe work should be positioned so as not to prevent the refrigerator from being readily withdrawn.

Before leaving, the installer should:

- Check all connections for gas leaks with soap and water. DO NOT use a naked flame for detecting leaks!
- Ignite the burner to ensure correct operation of gas valve, burner and ignition.
- Instruct the user on the correct method of operation. In case the appliance fails to operate correctly after all checks have been carried out, contact the authorised service provider in your area.

ELECTRICAL CONNECTION

The electrical installation must be carried out by authorised personnel.



For mains voltage operation, it is important that the circuit to and in the motorhome is effectively earthed.

The refrigerator is equipped with a three-prong (grounding) plug for your protection against shock hazards and should be plugged directly into a properly grounded three prong receptacle. DO NOT cut off or remove the grounding prong from this plug!

If the supply cord is damaged, it must be replaced by the manufacturer, its service agent or similarly qualified persons in order to avoid a hazard.

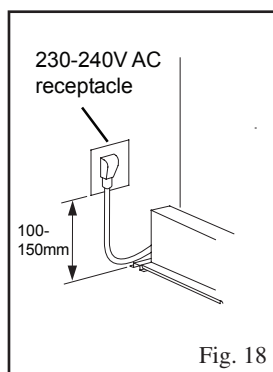
230-240V SUPPLIES

Check that the voltage stated on the data plate is the same as the main voltage in use (230-240V).



Electrical leads must be routed and secured so that they cannot come into contact with hot or sharp parts of the refrigerator.

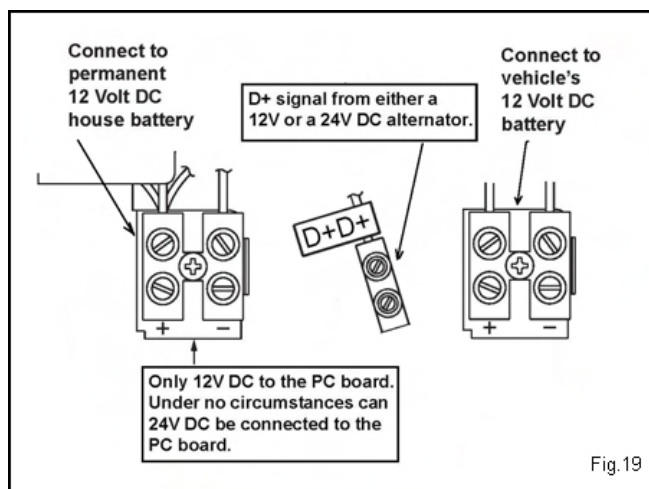
The cord should be routed to avoid direct contact with the burner cover, flue cover or any other components that could damage the cord insulation.



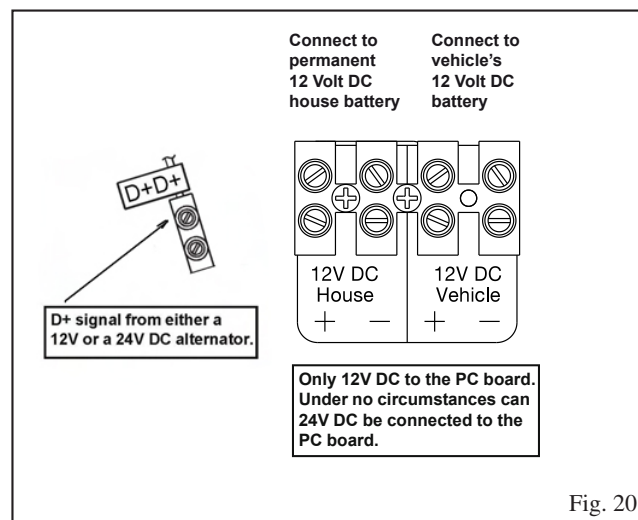
12V AND "D+" CONNECTION

The refrigerator is equipped with two terminals intended for connection to 12 volt.

RM2355, RM2455 and RM2555: One terminal is marked "CONNECT TO PERMANENT 12 VOLT DC HOUSE BATTERY" and the other "CONNECT TO VEHICLE 12 VOLT DC BATTERY", see Fig. 19.



RM4605 and RM4805: One terminal is marked "12V DC HOUSE" and the other "12V DC VEHICLE", see Fig. 20.



- For a Motor Home the house battery and the vehicle battery may be the same battery.
- For a caravan the 12 volt connections can only be made to separate batteries.

CONNECTION MARKED "CONNECT TO VEHICLE 12 VOLT DC BATTERY" (RM2355/RM2455/RM2555) - OR - "12V DC VEHICLE" (RM4605/RM4805)

This connection supplies the 12V DC heating element.

The (+12V) and (-) poles have to be connected directly to the vehicle battery. Via a suitable connection to the tow vehicle when fitted to a caravan.

The (+12V) supply wire, connected to the terminal block (S) on the wiring diagrams, has to be fused according to the table below. Do not use the chassis for the return lead.

Model	Fuse size (A)
RM2355/RM2455/RM2555	20
RM4605/RM4805	30

Cross-sections

The wires connected to this terminal must have the following minimum cross section area:

- **RM2355/RM2455/RM2555**
Maximum length of 8 metres from refrigerator to the battery.
6 mm² cross-section low voltage multi strand cable.
- **RM4605/RM4805**
Maximum length of 8 meters from refrigerator to the battery.
10 mm² cross-section low voltage multi strand cable.

Cable lengths > 8 meters will require a larger cross-sectional cable.

CONNECTION MARKED "CONNECT TO PERMANENT 12 VOLT DC HOUSE BATTERY" (RM2355/RM2455/RM2555) - OR - "12V DC HOUSE" (RM4605/RM4805)

This connection supplies the AES refrigerator control system and must not be interrupted at any time whilst using the refrigerator on 240 volt, gas, and 12 volt. This is a permanent 12 volt connection.

The (+12V) and (-) poles have to be connected directly to the permanent 12V DC house battery. Do not use the chassis for the return lead.

The 12V supply must not be connected to a voltage controller or similar device as the AES control system itself monitors the DC voltage.

The +12V must be permanently attached and must not be cut out when the ignition key is turned off. All connections should be screwed or soldered to keep voltage drop to a minimum.

Cross-sections

The wires connected to this terminal must have a minimum cross-section area of 1.5 mm².

D+ CONNECTION

The connection D+ (alternator) has to be connected to the corresponding outlet of the vehicles electrical system - either a 12V or a 24V DC alternator. The D+ connection accepts 24V. Please note that the refrigerator accepts 12V only. **Do not connect the refrigerator to 24V!**

This connection provides a signal to the refrigerators AES control system informing the control system when the vehicle engine is running.

The AES refrigerator can not select 12V as the energy source unless the vehicle engine is running.

Cross-sections

The D+ (alternator) is a signal cable and therefore 1-1.5 mm² is sufficient.

MOUNTING INSTRUCTIONS

REPOSITIONING THE HINGES

The refrigerator is equipped with reversible doors. A special door reversing kit must be used to reverse the doors. For further information, please contact your dealer.

MOUNTING THE DOOR PANEL (RM2355)

Door panels for RM2355 must be supplied by the manufacturer. This enables the manufacturer to match the door panel with the rest of the cabinetry inside the motor home or caravan.

Before starting the mounting work, read the instructions thoroughly.

Check that the panel dimensions are in compliance with those given in the following table:

Dimensions (mm) (Thickness max 4 mm)	
Height	Width
666±1	497±1

We recommend that the panel is mounted before the refrigerator is installed in the enclosure. The lower decoration strip and parts bag are taped inside the door.

To mount the door panel, follow these steps:

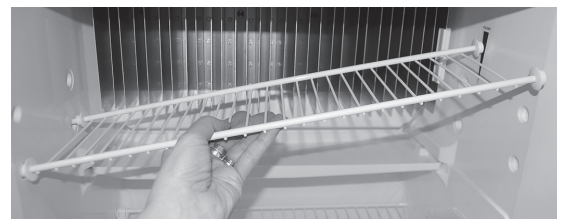
1. Slide the panel from the bottom of the door into the grooves on the vertical edges of the door.
2. Push the panel upwards. Take the two plastic panel stops from the parts bag and put them in the two holes at the lower door frame.
3. Put the decoration strip across the door and fasten with the screws from the parts bag.

REMOVING AND REPLACING THE SHELVES

1. Remove the shelf locks by inserting the tip of a flat bladed screwdriver into the slot of the locks. Turn the screwdriver counterclockwise and then remove the shelf locks from the wire shelf.



2. Tilt the shelf to one side at an angle while pulling forward.

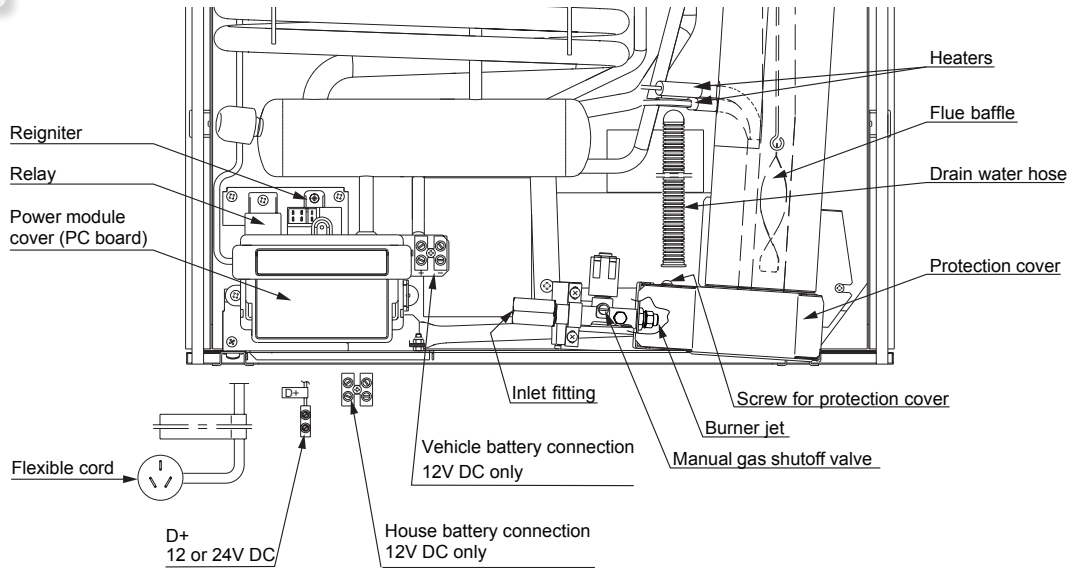


3. Reposition the shelf in the desired location. Insert the ends of the wire shelf on the left-hand side and slide the shelf into the holes on the right-hand side.
4. Slide the plastic plugs into the holes of the wall.
5. Snap the shelf locks onto the wire shelf.

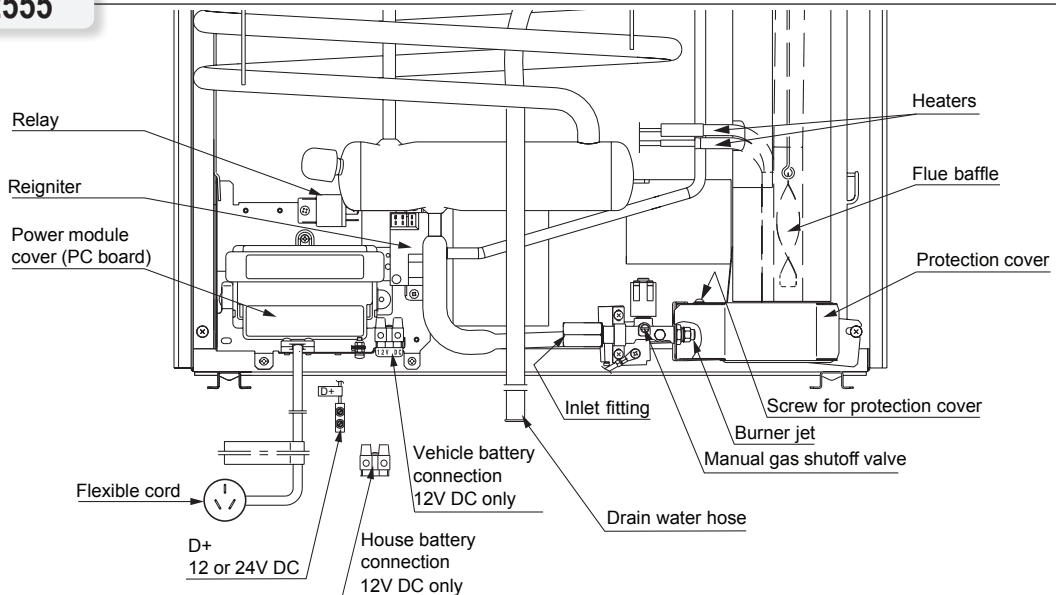


APPENDIX A - REARVIEW EQUIPMENT

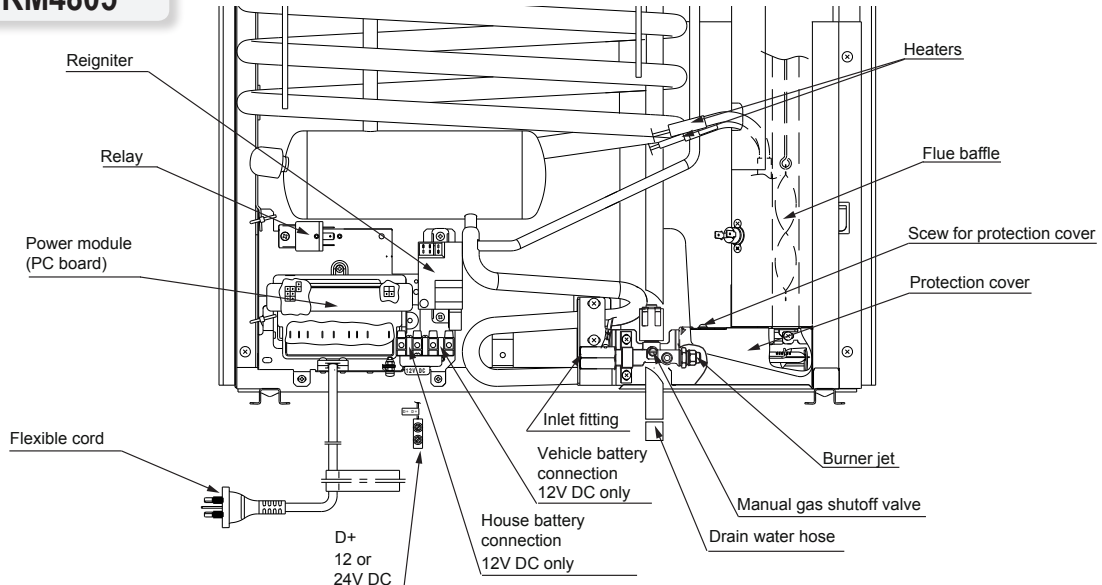
RM2355



RM2455/RM2555

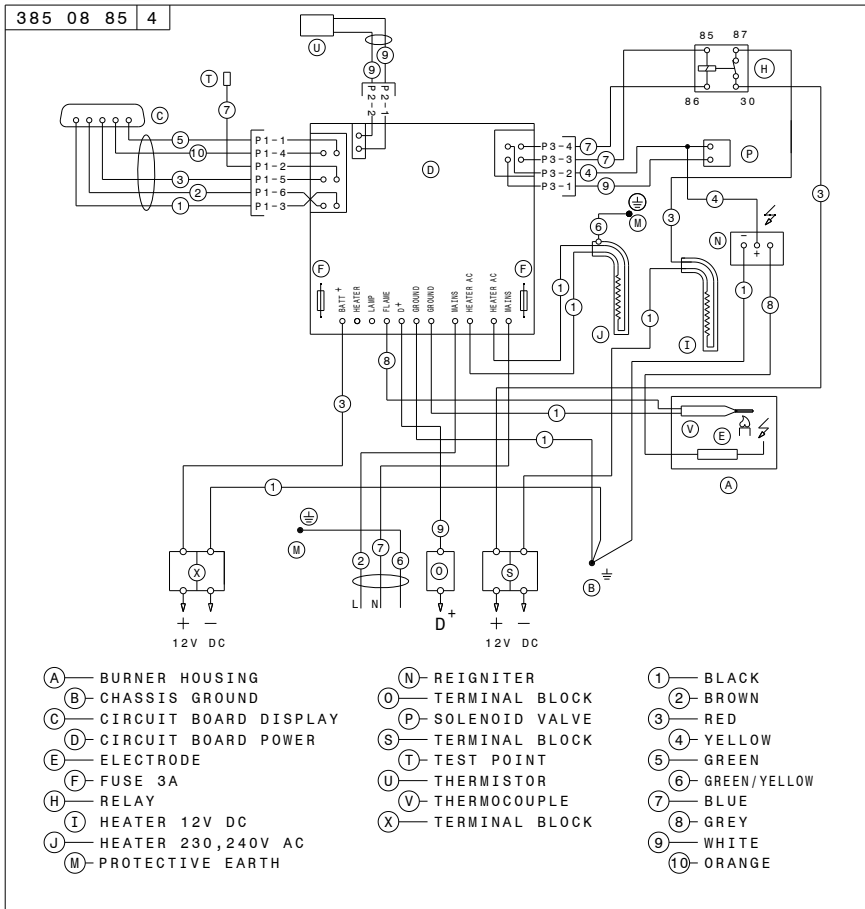


RM4605/RM4805

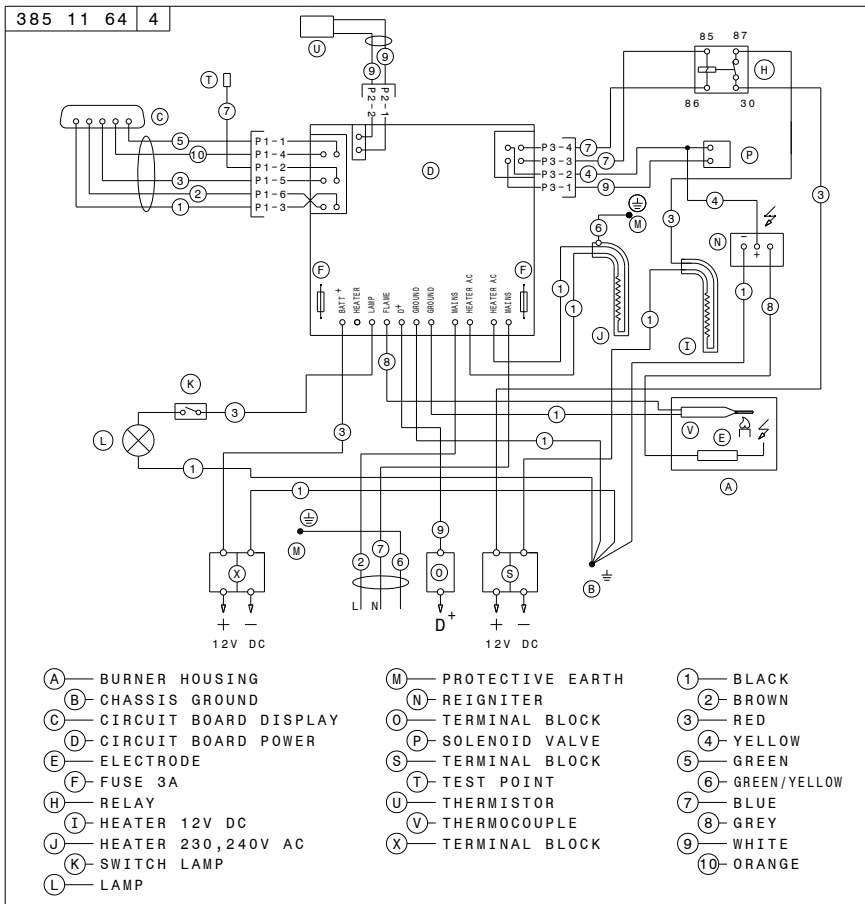


APPENDIX B - WIRING DIAGRAM

RM2355

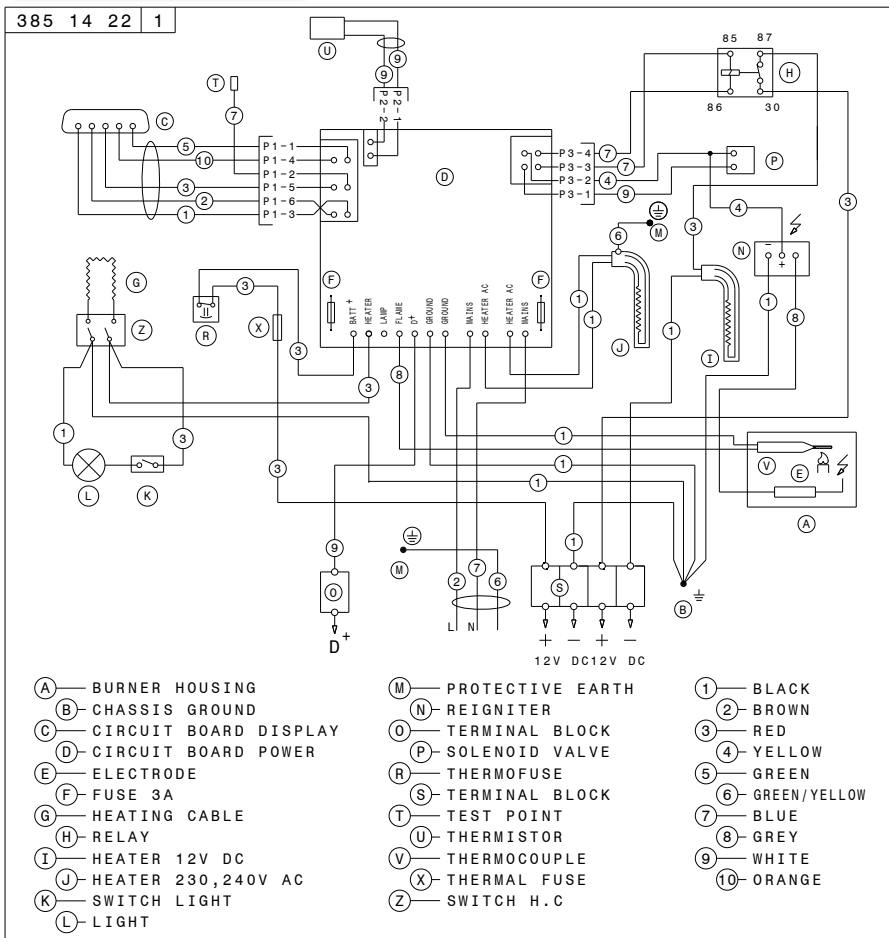


RM2455/RM2555



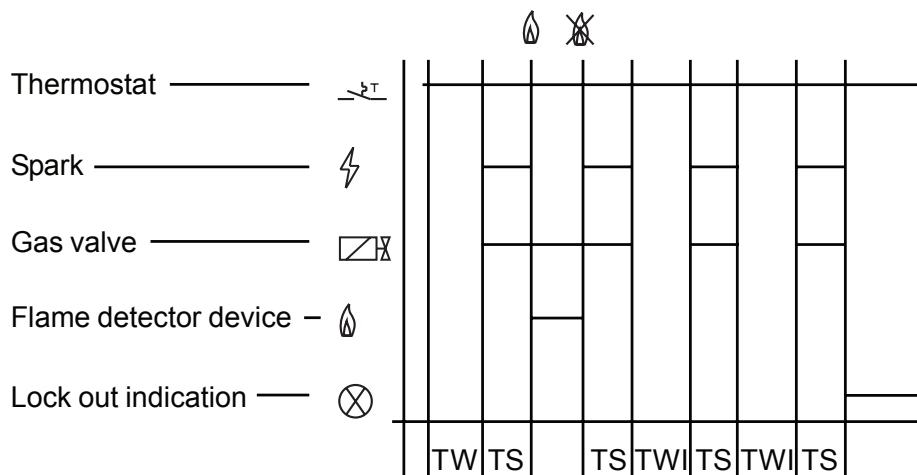
APPENDIX B - WIRING DIAGRAM

RM4605/RM4805



APPENDIX C - WORKING INSTRUCTIONS FOR THE GAS SAFETY SYSTEM

WORKING DIAGRAM



TECHNICAL SPECIFICATIONS

Classification codes according to EN298	A-M-R-V-X-K
Class of protection according to Low Voltage Directive	IP-20
Waiting time / TW	8 s
Safety time / TS	45 s
Inter-waiting time / TWI	120 s
Working temperature	-20°C to +45°C
Nominal working voltage*	12 - 13,8V DC
Resistance to vibration according to	EN60068-2-6:1995

*Functional approved at a voltage variation of +20% through -25%

