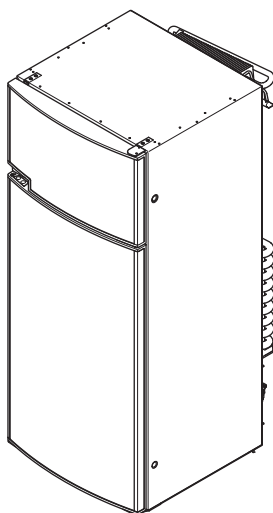


# ↗ DOMETIC

# REFRIGERATION

# REFRIGERATORS



RMDX21, RMDX25

EN

**Absorber refrigerator**  
Operating manual



**Please read this instruction manual carefully before first use, and store it in a safe place. If you pass on the product to another person, hand over this instruction manual along with it.**

## **Table of contents**

1	Explanation of symbols . . . . .	4
2	Safety instructions . . . . .	4
3	Scope of delivery . . . . .	7
4	Accessories . . . . .	7
5	Intended use . . . . .	8
6	Technical description . . . . .	8
7	Using the refrigerator . . . . .	12
8	Cleaning and maintenance . . . . .	30
9	Maintenance . . . . .	31
10	Troubleshooting . . . . .	34
11	Warranty . . . . .	37
12	Disposal . . . . .	37
13	Technical data . . . . .	38

# 1 Explanation of symbols

**WARNING!**

**Safety instruction:** Failure to observe this instruction can cause fatal or serious injury.

**CAUTION!**

**Safety instruction:** Failure to observe this instruction can lead to injury.

**NOTICE!**

Failure to observe this instruction can cause material damage and impair the function of the product.

**NOTE**

Supplementary information for operating the product.

## 2 Safety instructions

The manufacturer accepts no liability for damage in the following cases:

- Damage to the product resulting from mechanical influences and excess voltage
- Alterations to the product without express permission from the manufacturer
- Use for purposes other than those described in the operating manual

### 2.1 General safety

**WARNING!**

- Never open the absorber unit. It is under high pressure and can cause injury if it is opened.
- Do not operate the refrigerator if it is visibly damaged.
- If the power cable for this refrigerator is damaged, it must be replaced by the manufacturer, customer service or a similarly qualified person in order to prevent safety hazards.
- This refrigerator may only be repaired by qualified personnel. Inadequate repairs may cause serious hazards.

- This refrigerator can be used by children aged 8 years or over, as well as by persons with diminished physical, sensory or mental capacities or a lack of experience and knowledge, providing they are supervised or have been instructed how to use the refrigerator safely and are aware of the resulting risks.
- Cleaning and user maintenance must not be carried out by unsupervised children.
- Children must be supervised to ensure that they do not play with the refrigerator.
- Do not store any explosive substances, such as spray cans with propellants, in the refrigerator.

**CAUTION!**

- Danger of crushing! Do not put your fingers into the hinge.
- Food may only be stored in its original packaging or in suitable containers.

**NOTICE!**

- Do not open the refrigerant circuit under any circumstances.
- The refrigerant in the refrigerator circuit is highly flammable. In the event of any damage to the refrigerator circuit (smell of ammonia):
  - Switch off the refrigerator if applicable.
  - Avoid naked flames and sparks.
  - Air the room well.
- Check that the voltage specification on the type plate is the same as that of the power supply.
- The refrigerator is not suitable for storing substances which are caustic or contain solvents.
- Keep the drainage outlet clean at all times.
- Do not use a high-pressure cleaner near the ventilation grille when cleaning the vehicle.
- Never pull the plug out of the socket by the connection cable.
- The refrigerator lighting may only be replaced by customer service.
- The refrigerator may not be exposed to rain.

## 2.2 Safe operation



### CAUTION!

- Close and lock the refrigerator door before beginning a journey.
- The refrigerator unit at the back of the refrigerator becomes hot during operation. Protect yourself from coming into contact with hot parts when removing ventilation grilles.
- Only store heavy objects such as bottles or cans in the refrigerator door, in the vegetable drawer or on the bottom shelf.



### NOTICE!

- Do not use electrical devices inside the refrigerator unless they are recommended by the manufacturer for that purpose.
- **Danger of overheating!**  
Always ensure sufficient ventilation so that the heat generated during operation can dissipate. Make sure that the refrigerator is sufficiently far away from walls and other objects so that the air can circulate.
- Ensure that the ventilation openings are not covered.
- Do not fill the inner container with ice or fluid.
- Protect the refrigerator and the cable against heat and moisture.
- Make sure that foodstuffs do not touch the walls of the cooling area.

## 2.3 Safety when operating with DC power



### NOTICE!

- Only select operation with DC power supply (battery mode) if the vehicle engine is running and providing sufficient voltage to the light system, or if you are using a battery monitor.

## 2.4 Safety when operating with AC power



### NOTICE!

- Check that the voltage specification on the type plate is the same as that of the power supply.
- Only use the cable supplied to connect the refrigerator to the AC mains.
- Never pull the plug out of the socket by the connection cable.

## 2.5 Safety when operating with gas



### WARNING!

- **Only operate the refrigerator** at the pressure shown on the type plate. Only use pressure controllers with a fixed setting which comply with national regulations.
- **Never** store liquid gas cylinders in unventilated areas or below ground level (funnel shaped holes in the ground).
- Keep liquid gas cylinders away from direct sunlight. The temperature may not exceed 50 °C.
- Never operate the refrigerator with gas
  - at petrol stations
  - while driving
  - while transporting the caravan or mobile home with a transport vehicle or tow truck
- Never use a naked flame to check the refrigerator for leaks.
- If you smell gas:
  - Close the gas supply cock and the valve on the cylinder.
  - Open all windows and leave the room.
  - Do not press an electric switch.
  - Put out any naked flames.
  - Have the gas system checked by a specialist.



### NOTICE!

- Only use universal LPG gas.

## 3 Scope of delivery

- Refrigerator
- Ice-cube tray
- Operating manual
- Installation manual

## 4 Accessories

Accessories available from your local Dometic agent.

## 5 Intended use

The refrigerator is designed for installation in caravans or motorhomes. It is only suitable for cooling, freezing and storing foodstuffs. The refrigerator is not intended for the proper storage of medicine.



### **CAUTION! Health hazard!**

Please check if the cooling capacity of the refrigerator is suitable for storing the food you wish to cool.

The refrigerator is designed to be operated on a DC power supply and an AC socket and can be powered by liquid universal LPG gas. The refrigerator may **not** be run on natural gas or city gas.



### **NOTE**

To safely operate 12 V consumer units in the caravan, it must be ensured that the towing vehicle provides sufficient voltage. On some vehicles, the battery management system may automatically switch off the consumer unit to protect the battery. Ask your vehicle manufacturer for more information.

## 6 Technical description

### 6.1 Description

The refrigerator is an absorption refrigerator. The refrigerator is designed to operate with different types of power and can be run on an AC power supply, a DC power supply or with liquefied universal LPG gas. For DC operation, the vehicle battery can be used. The thermostatic control ensures that the refrigerator temperature is kept constant and as little power as possible is consumed.

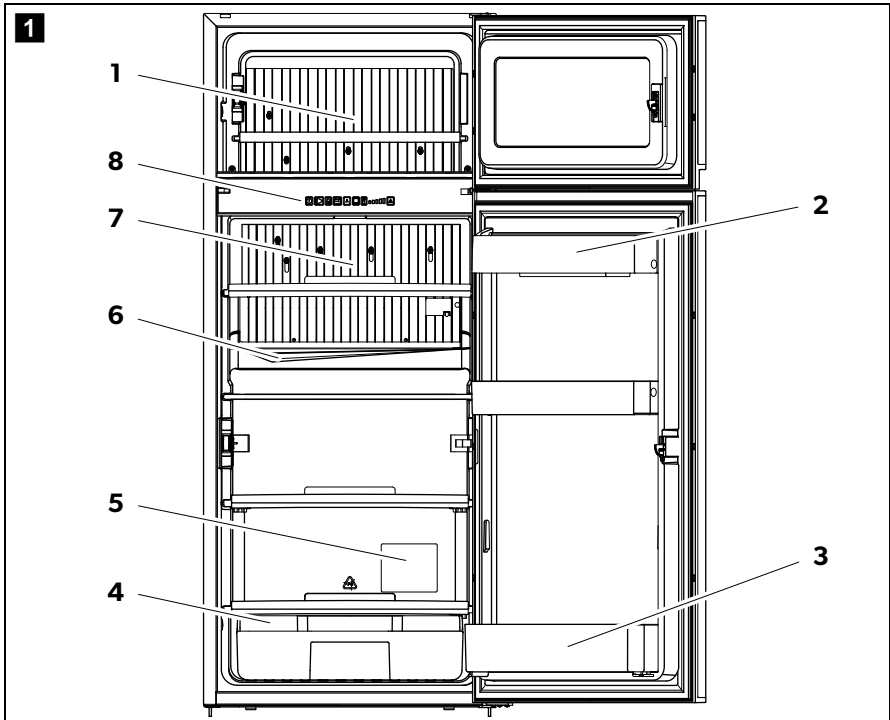
The refrigerator is equipped with an automatic safety device which automatically terminates the gas supply to the burner approximately 30 seconds after the flame goes out and remains out.

The RMDX21 refrigerator has manual power mode selection.

The RMDX25 refrigerator has an automatic operating mode which selects the most economical power mode connected.

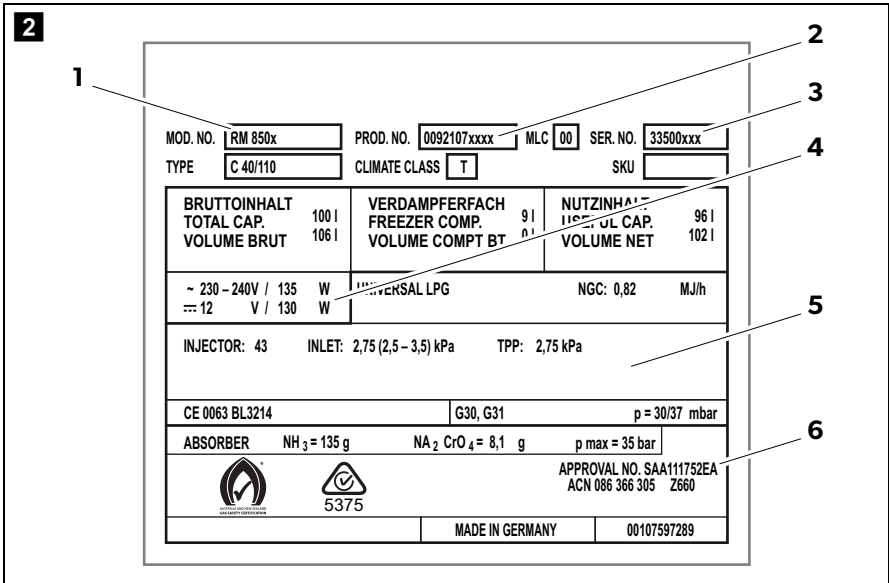


## 6.2 Components



No. in fig. 1	Description
1	Ice compartment
2	Top tray with flap
3	Bottom tray with bottle holder
4	Vegetable compartment
5	Type plate
6	Thawed water drainage channel
7	Secondary evaporator for refrigerator
8	Control elements

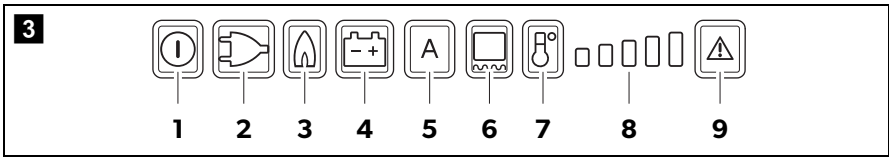
Inside the refrigerator, you can see the type plate of the refrigerator. There you can see the model name, product number and serial number. You will need this information whenever you contact the customer service or order spare parts:












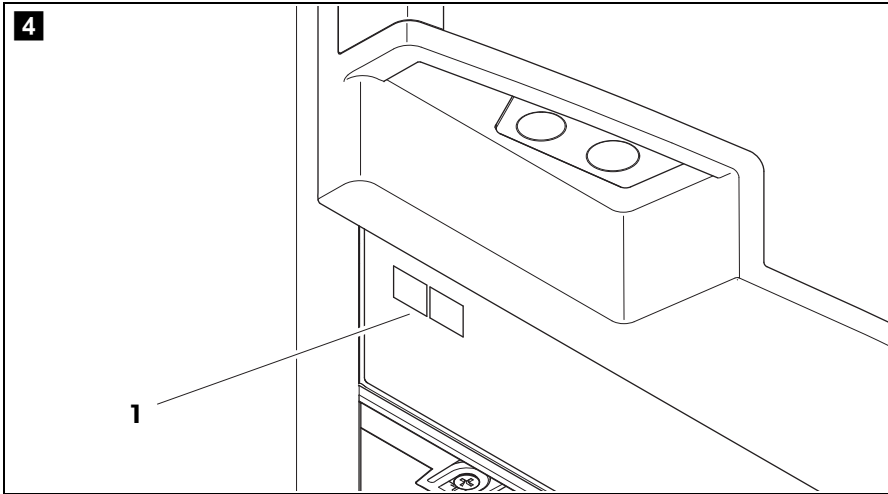
No. in fig. 2	Description
1	Model number
2	Product number
3	Serial number
4	Electrical connection value
5	Gas pressure
6	Test mark/certification

### 6.3 Control elements

The control elements for the refrigerator are found behind the lower refrigerator door. The refrigerator features the following illuminated control elements:



No. in fig. 3	Description
1	 ON/OFF button
2	 Operating with AC power supply
3	 Gas operation
4	 Operating with DC power supply
5	 Automatic mode <b>(RMDX25 only)</b>
6	 Setting the operating time of the freezer compartment frame heater
7	 Setting the temperature
8	 Temperature indication
9	 Malfunction indicator Reset button for a gas malfunction



There are two status LEDs (fig. **4** 1) on the control panel below the lock for the freezer compartment:

- Blue: The refrigerator is operating
- Red: Problem

## 7 Using the refrigerator



### NOTICE!

- Make sure that you only put items in the refrigerator which may be kept at the selected temperature.
- Foodstuff may only be stored in its original packaging or in suitable containers.

**NOTE**

- Before starting your new refrigerator for the first time, you should clean it inside and outside with a damp cloth for hygienic reasons.
- The cooling performance can be affected by:
  - the ambient temperature (e.g. when the vehicle is exposed to direct sunlight)
  - the amount of food to be conserved
  - how often you open the door
- When using the refrigerator for the first time, there may be a mild odour which will disappear after a few hours. Air the living space well.
- Park the vehicle so that it is level, especially when starting up and filling the refrigerator before setting off on a journey.
- The refrigerator unit operates silently.
- Approximately one hour after switching on, the freezer compartment of the refrigerator should be cold. The refrigerator reaches its operating temperature after a few hours.
- Battery management systems switch off the power supply to the refrigerator as soon as the vehicle engine is switched off for longer than 30 minutes. The refrigerator requires a constant DC power supply to operate. If your vehicle has a battery management system, deactivate it.

## 7.1 Tips for using the refrigerator optimally


When the temperature in the interior of the refrigerator exceeds +4 °C, the shelf life of goods that spoil quickly cannot be guaranteed. To attain an optimal cooling capacity in the interior of the refrigerator, observe the following information:

- Do not store goods in the refrigerator for the first 12 hours of operation.
- Protect the interior of the vehicle from warming up excessively (e.g. sunshades in the windows, air conditioner).
- Protect the refrigerator from direct sunlight (e.g. sunshades in the windows).
- Voltage fluctuations can have a negative effective on the cooling capacity. Check the temperature in the interior of the refrigerator regularly
  - when using DC current during the journey
  - when using AC current at the site of use

## 7.2 Energy saving tips

- Choose a well ventilated location which is protected from direct sunlight.
- Allow warm food to cool down first before keeping it cool in the refrigerator.
- Do not open the refrigerator more often than necessary.
- Do not leave the doors open for longer than necessary.
- Defrost your refrigerator as soon as a layer of ice forms.
- Avoid unnecessarily low temperature settings.
- Arrange the food in the refrigerator so that air can circulate inside.
- Leave a distance of about 10 mm between the contents and secondary evaporator.

## 7.3 Switching on the refrigerator

- Make sure that the gas supply is turned on.
- Press and hold the  button for two seconds.
- ✓ The refrigerator starts with the last type of power selected.

### Operating with AC power supply

- Press the  button.

### Operating with DC power supply

**NOTE**

Only select operation with DC power supply (battery mode) if the vehicle engine is running and providing sufficient voltage to the light system, or if you are using a battery monitor.

- Press the  button.

## Gas operation



### WARNING! Fire hazard!

Never operate the refrigerator with gas at petrol stations.



### NOTE

- Periodical inspection of the burner is suggested to ensure contamination / vermin does not impede the burners performance.
- Ignition problems may occur at altitudes above 1000 m. Switch to a different energy source.

➤ Press the  button.

✓ The burner is ignited automatically.

## Automatic operation (RMDX25 only)



### NOTE

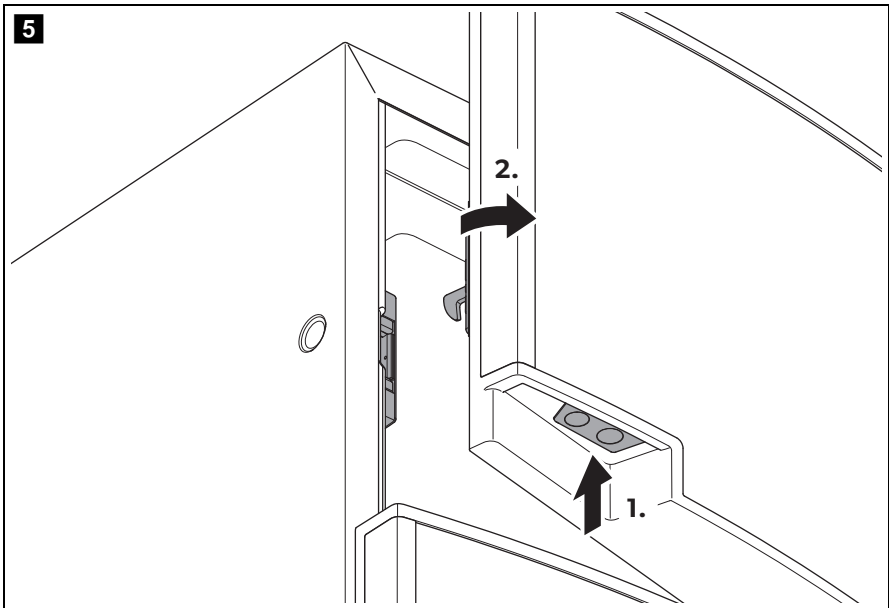
- To avoid unintentionally switching to gas operation while refuelling, the automatic mode starts the gas operation only once the engine has been off for 15 minutes.
- Turn off the refrigerator or set it to a different operation mode, if refuelling lasts longer than 15 minutes.
- Ignition problems may occur at altitudes above 1000 m. Switch to a different energy source.

In automatic mode, the refrigerator selects the most favourable operating mode available itself.

Priority	Operating mode
1	AC power
2	DC power
3	Gas

➤ Press the  button.

## 7.4 Opening the refrigerator door/freezer compartment door



### CAUTION!

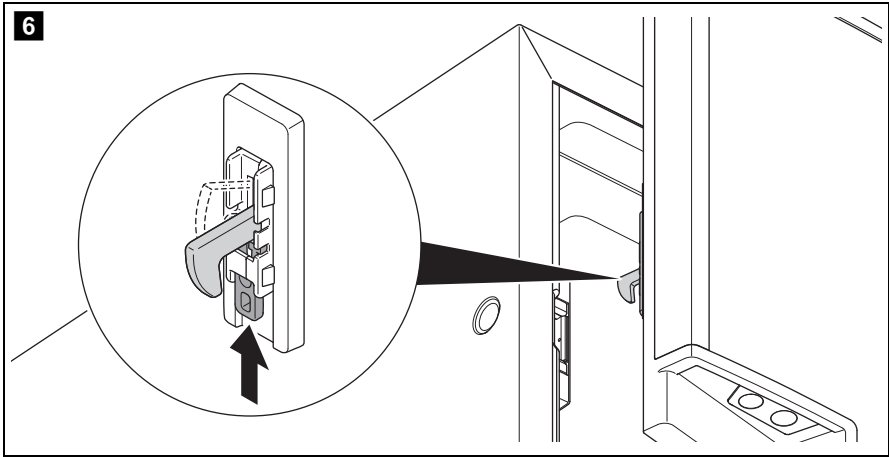
Always close and lock the refrigerator before starting the journey.

- Press the lock button and pull the door out at the same time.

### Fixing the locking catch in place

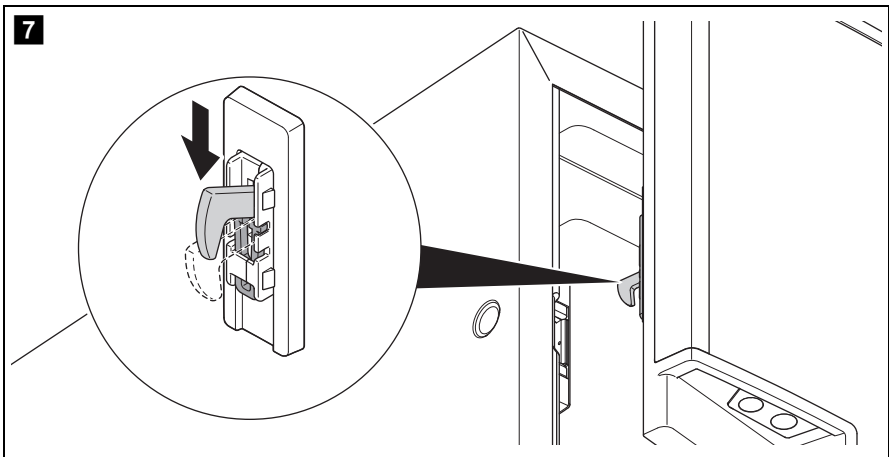
When the vehicle is parked, you can fix the locking catch in place. This makes it easier to open the door.





- Push the bolt under the locking catch upwards until it clicks into place.
- ✓ The door can be opened by pulling it without pressing the button.

### Re-engaging the locking catch



- Push the locking catch downwards.
- ✓ The door can only be opened by pressing the lock button.

## 7.5 Locking the refrigerator door/freezer compartment door



- ▶ Release the locking catch, if applicable (fig. **7**, page 17).
- ▶ Press the door shut until you hear it clearly click.
- ✓ The door is now closed and locked for travelling.

## 7.6 Selecting the temperature



### NOTE

At ambient temperatures of +15 °C – +25 °C, select the centre position (three bars). The unit operates in the optimum power range.

- ▶ Set the required temperature with the  button. You can see the set temperature in the display 
  - one bar = lowest cooling capacity
  - five bars = highest cooling capacity

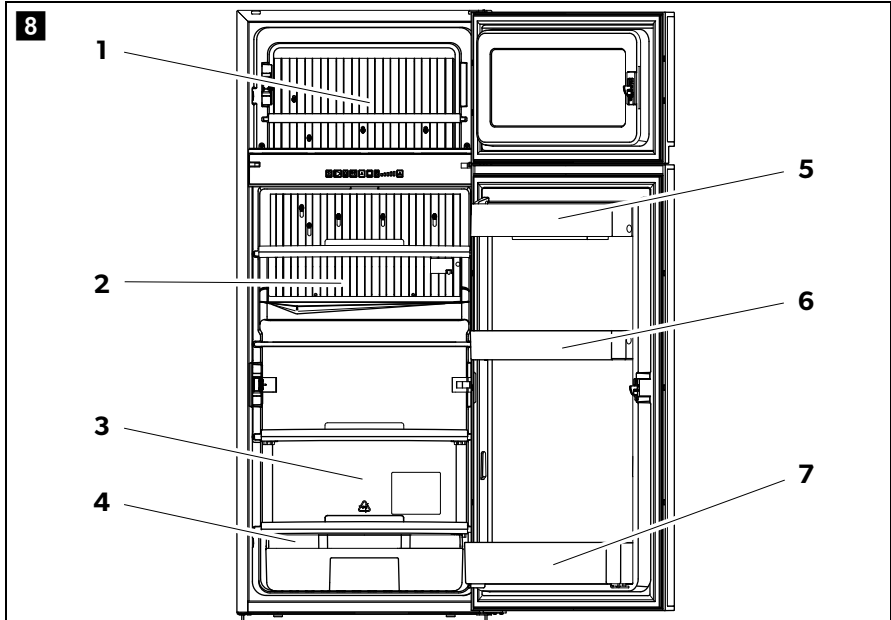
## 7.7 Notes on storing food



### CAUTION!

Only store heavy objects such as bottles or cans in the refrigerator door, in the vegetable compartment or on the bottom shelf.

The refrigerator compartments are recommended for the following types of food:



No. in fig. 8	Food
1	Frozen food
2	Dairy products, ready-made meals
3	Meat, fish, items for defrosting
4	Salad, vegetables, fruit
5	Eggs, butter
6	Dressing, ketchup, jam
7	Drinks in bottles or cartons

Please observe the following instructions for storing items:




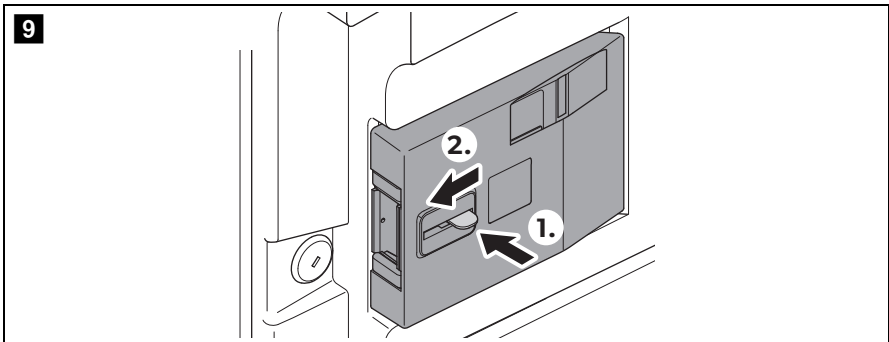
#### NOTE

- Do not keep carbonated drinks in the ice compartment.
- The ice compartment is suitable for making ice cubes and for keeping frozen food short-term. It is not suitable for long-term food storage.
- If the refrigerator is exposed to a room temperature of below +10 °C for a prolonged period of time, an even temperature of the ice compartment cannot be guaranteed. This can lead to a potential increase in the freezer compartment temperature and stored goods will defrost.
- Pack raw and cooked items separately.
- Observe the expiry date on the packaging.
- Do not leave refrigerated items outside the refrigerator for too long.
- Clean the inside of the refrigerator at regular intervals.

## 7.8 Switching off the refrigerator

Proceed as follows:

- ▶ Press and hold the  button for three seconds.
- ✓ The display goes out and the refrigerator is switched off completely.



#### NOTE

If you do not use the refrigerator for a prolonged period of time:

- Unlock the locking mechanism of the door lock by pressing it inwards and sliding it forwards (fig. **9**). When the door is then closed, there is a wide gap. This prevents mould from forming.

- ▶ Shut off the gas supply in the vehicle and the valve to the gas cylinder.

## 7.9 Positioning the shelves

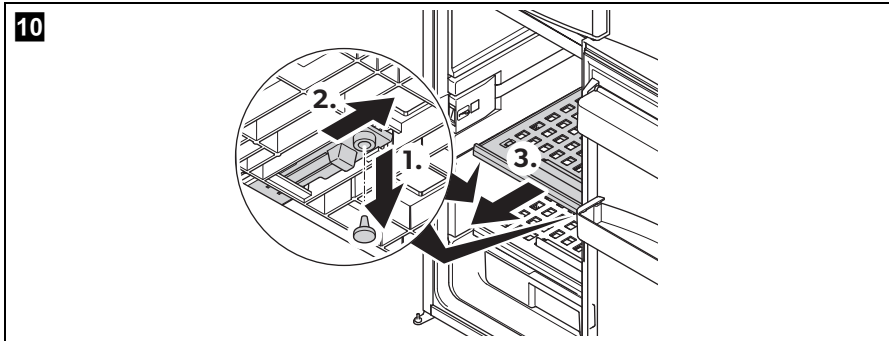


### **WARNING! Children beware!**

Two shelves are fixed in place to prevent children from climbing inside the refrigerator.

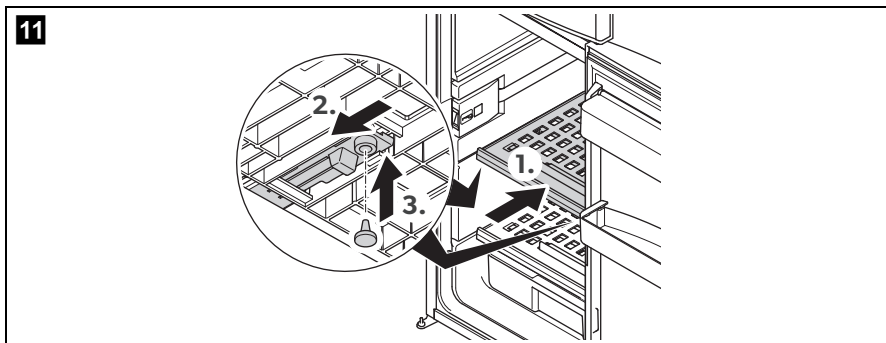
- Only remove the shelves for cleaning purposes.
- Replace it in the same position afterwards and lock it into place.

### Removing the shelf



- **For fixed shelves only:** Undo the locking pins with a screwdriver.
- Press the two locks under the shelf inwards to release the shelf.
- Pull out the shelf.
- **For fixed shelves only:** Replace the locking pins again.

## Inserting the shelf



- ▶ **For fixed shelves only:** Undo the locking pins with a screwdriver.
- ▶ Insert the shelf into the required position.
- ▶ Press the locks under the shelf outwards to secure the shelf.
- ▶ **For fixed shelves only:** Replace the locking pins again.

## 7.10 Defrosting the refrigerator



### NOTICE!

Never use mechanical tools to remove ice or to loosen objects stuck to the device.



### NOTE

Over time, frost builds up on the cooling fins inside the refrigerator. If this layer of frost is about 3 mm thick, you should defrost the refrigerator.

- ▶ Disconnect the voltage and gas supply.
- ▶ Empty the refrigerator.
- ▶ Put a cloth in the ice compartment and the refrigerator to absorb any excess water.
- ▶ Leave the door open.
- ✓ The thawed water of the main refrigerator runs into a receptacle on the back of the refrigerator where it evaporates.
- ▶ Wipe both compartments dry with a cloth.

## 7.11 Operating in low ambient temperatures

If the refrigerator is exposed to a room temperature of below +10 °C for prolonged periods of time, an even temperature in the freezing compartment cannot be guaranteed. Setting the refrigerator compartment to a cooler setting, adding room temperature goods to the fresh food compartment and using the fresh food area more often will help maintain the freezer temperature.

## 7.12 Operation at high ambient temperatures

At high outside temperatures in combination with high levels of humidity, condensation may form on the freezer compartment frame. The freezer compartment is fitted with a frame heater (12 V $\overline{=}$ /3.5 W). Switch the frame heater on to prevent condensation from forming on the frame of the freezer compartment.

The frame heater is switched on continuously in the following operating modes (no display):


- AC operation
- Automatic operation (RMDX25 only)



### NOTICE!

Do not switch the frame heater to permanent operation when the refrigerator is being operated with gas. This could discharge the on-board battery.

Proceed as follows to switch on the frame heater:

- ▶ Press the  button to set the frame heater as follows:
  - Press the button once for a 2-hour setting; the temperature display shows one bar.
  - Press the button a second time for a 5-hour setting; the temperature display shows two bars.
  - Press the button a third time for continuous operation; the temperature display shows three bars.
  - Press the button a fourth time to switch it off; the temperature display goes off.

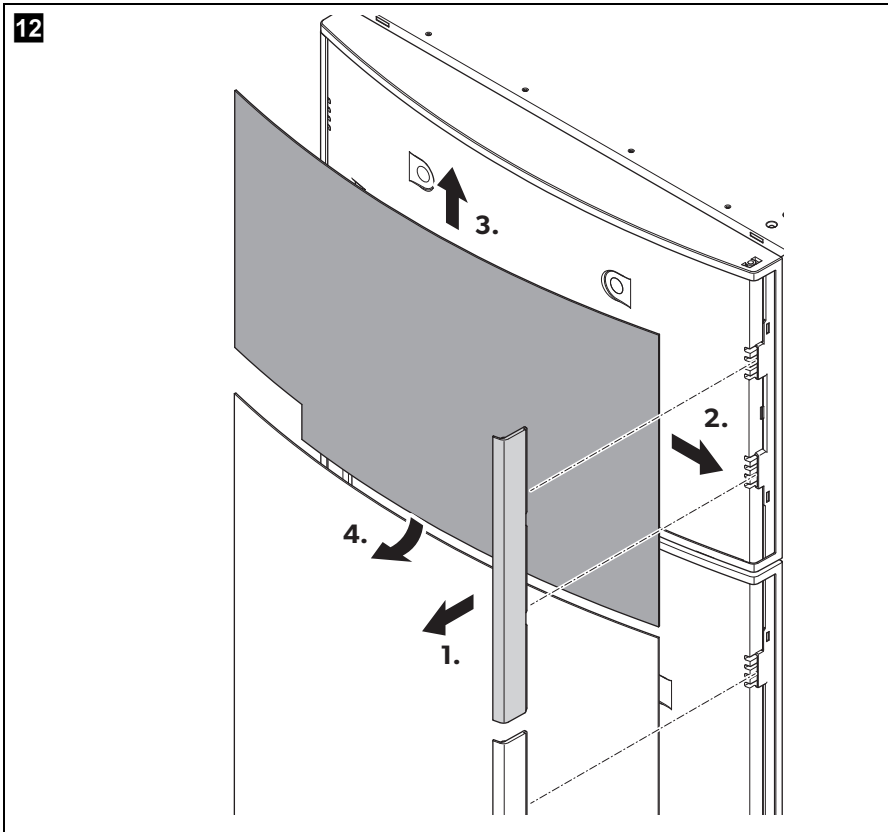
## 7.13 Replacing the door panel



### **NOTICE! Beware of damage**

The door panel must not be replaced when the refrigerator is upright.

### Removing the door panel from framed door model

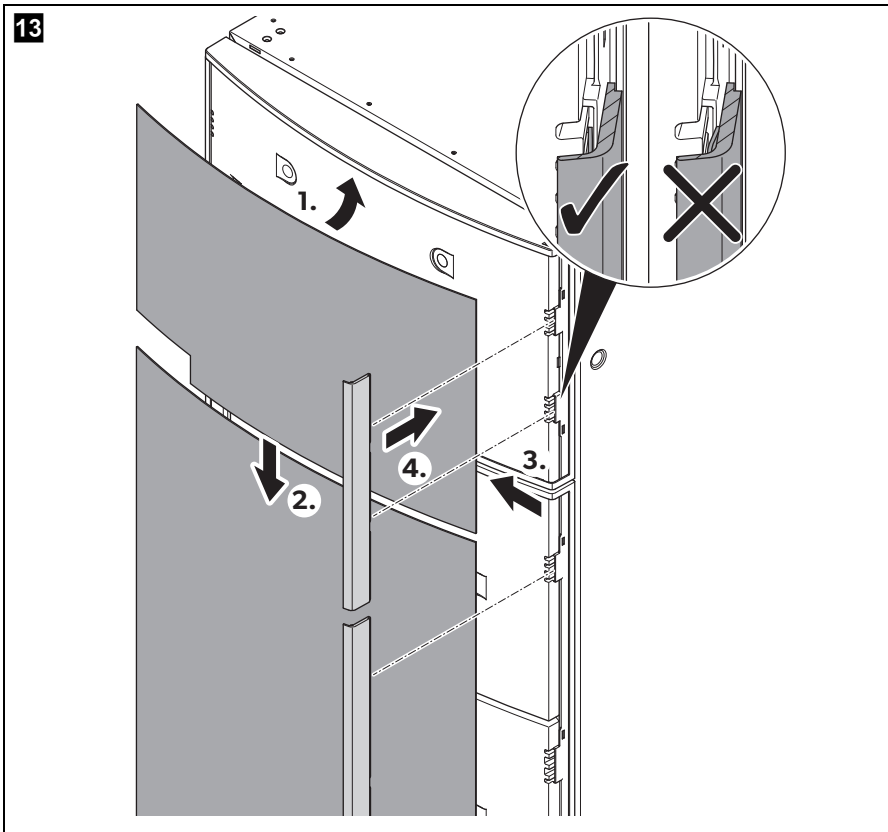


Proceed as follows:

- Remove the door trim carefully. It is only clipped in and held in place by small hooks.
- Pull the old panel away from the door trim still installed.
- Push the old panel upwards as far as the stop.
- Pull the old panel out of the door.

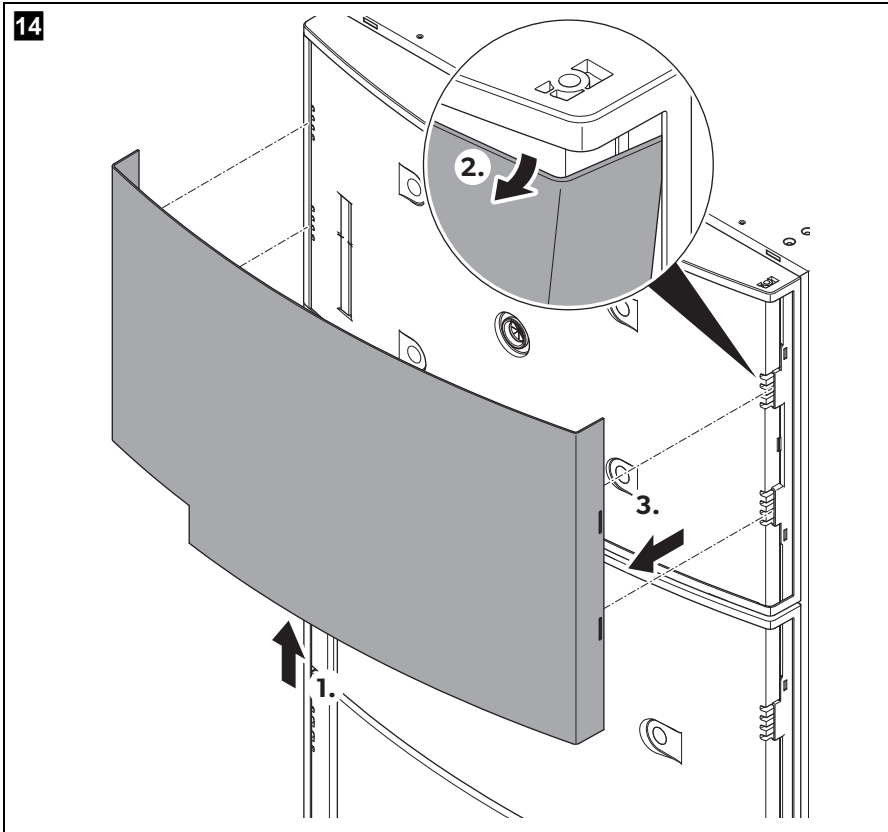


### Installing the new door panel and trim on framed door model



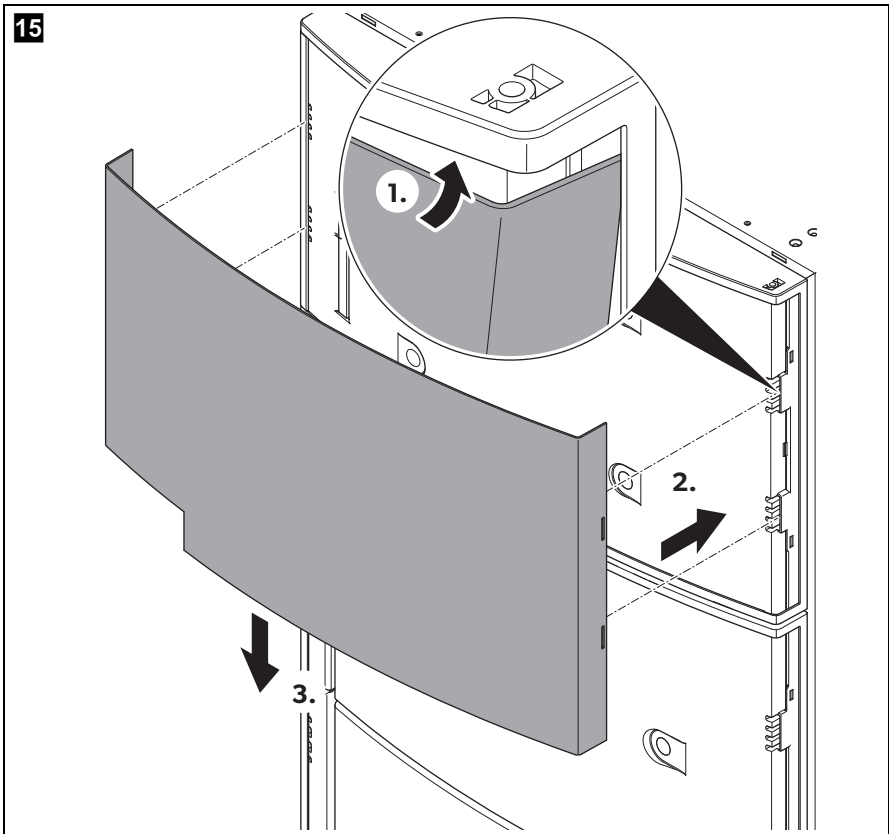
Proceed as follows:

- Push the new panel upwards in the door as far as the stop.
- Push the new panel downwards into the door.
- Pull the new panel into the door trim still installed.
- insert the door trim again.
- ✓ The door trim is secure once it clicks into place.

**Removing the door panel from frameless door model**

Proceed as follows:

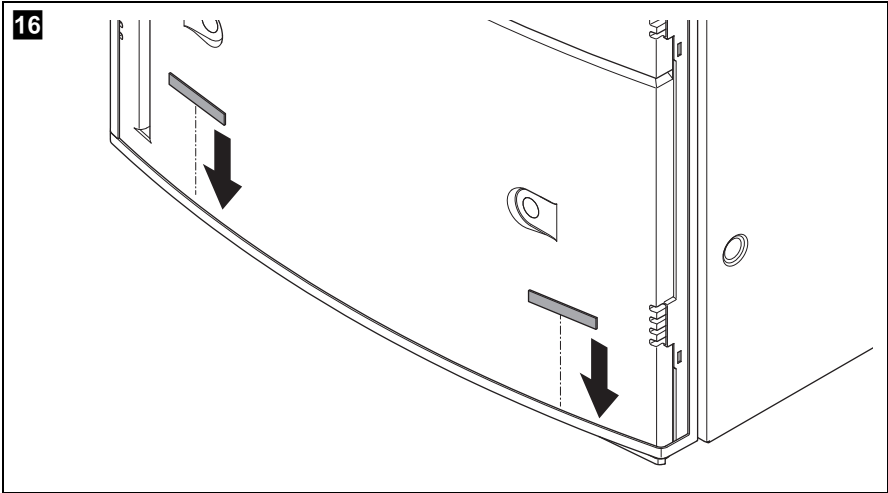
- Push the old panel upwards as far as the stop.
- Pull the old panel out of the door.

**Installing the new door panel on frameless door model**

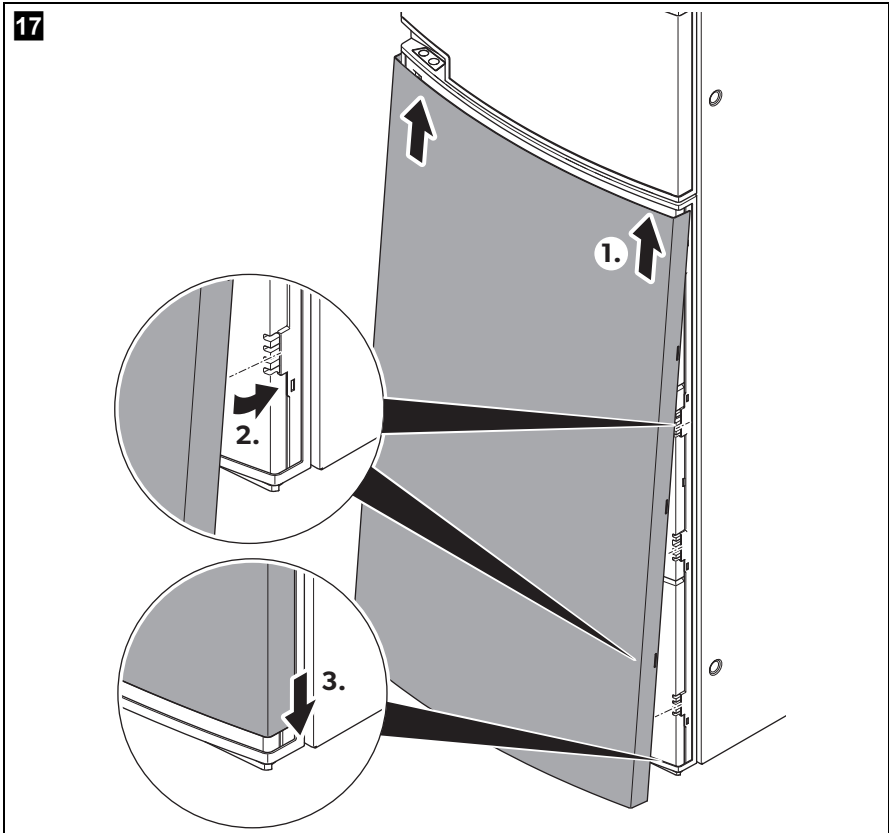
Freezer compartment door:

- Push the new panel upwards in the door as far as the stop. Make sure that the new panel fits the door at the left and right, and that it clicks into place.
- Push the new panel downwards into the door.

Refrigerator door:



➤ Push two spacers downwards into the door, if necessary.



- Push the new panel upwards in the door as far as the stop. Make sure that the new panel fits the door at the left and right, and that it clicks into place.
- Push the new panel downwards into the door.

## 8 Cleaning and maintenance



### WARNING!

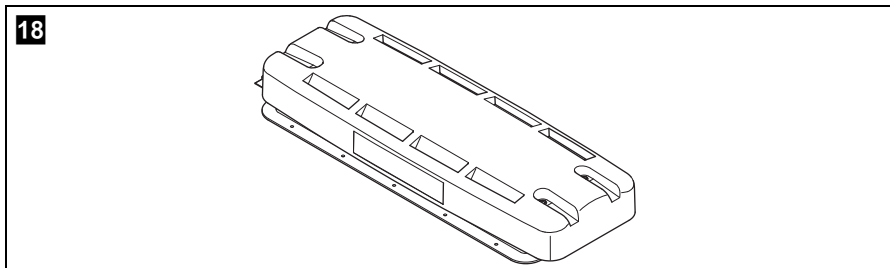
Always disconnect the refrigerator from the AC power and turn off the gas before you clean and service it.



### NOTICE!

- Do not use abrasive cleaning agents or hard objects during cleaning as these can damage the refrigerator.
- Never use hard or sharp tools to remove ice or to free objects frozen onto the device.
- Do not use any mechanical tools or any other tools to speed up the defrosting process.

- Clean the refrigerator regularly and as soon as it becomes dirty with a damp cloth.
- Make sure that no water drips into the controls. This can damage the electronics.
- Wipe the refrigerator dry with a cloth after cleaning.
- Check the condensate drain regularly.  
Clean the condensate drain when necessary. If it is blocked the condensate collects on the bottom of the refrigerator.



- Make sure that the ventilation grille in the outer wall of the caravan or mobile home and the roof vent (fig. 18) of the refrigerator are free of any dust and dirt, so that heat generated during operation can be discharged and the refrigerator is not damaged.

## 9 Maintenance

**WARNING!**

Working on gas and electrical installations may only be performed by qualified technicians.

**NOTE**

Have the refrigerator checked if the vehicle has not been used for a long time. To do this, contact the customer service.

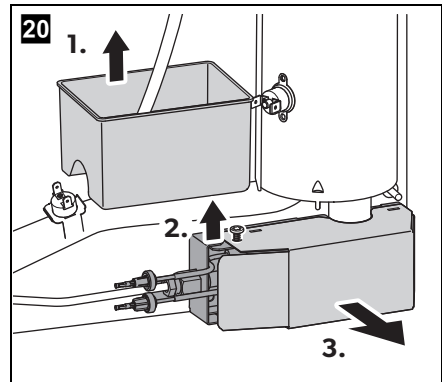
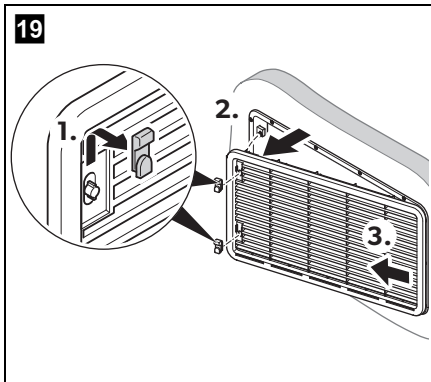
- Have the gas system and connected flues inspected before initial operation and then periodically as required by an authorised professional to ensure they comply with national safety requirements.
- The gas burner can be cleaned of impurities whenever necessary. Vermin infestation is possible after extended periods without using gas operation. Yearly inspection of the burner is suggested.
- Keep a record of any maintenance performed in the vehicle.

## 9.1 Cleaning the gas burner



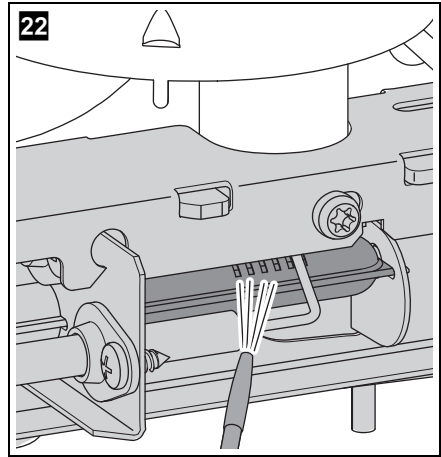
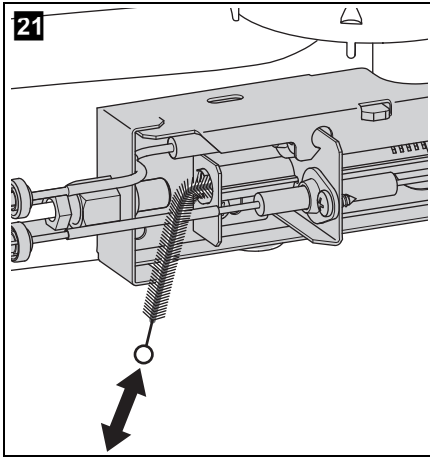
### WARNING!

- Disconnect the AC power supply.
- Close the gas valve to the refrigerator before cleaning the gas burner.
- Allow the burner to cool down before cleaning it.
- Do not modify the gas equipment. The gas burner can be cleaned without removing the gas equipment.



- Remove the ventilation grille (fig. **19**).
- Take out the condensation container (fig. **20**).
- Loosen the screw on the gas burner cover (fig. **20**).
- Press the catch below the burner cover inwards, and pull off the burner cover (fig. **20**).





- Clean the burner pipe of coarse impurities using a suitable cleaning brush with soft bristles (fig. **21**).
- Blow out the burner pipe with compressed air through the slots in the burner pipe (fig. **22**).
- Attach the burner cover.
- ✓ The burner cover is fixed in place when it audibly clicks into place.
- Screw the burner cover in place.
- Insert the condensation container.
- Attach the ventilation grille.


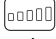



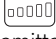








# 10 Troubleshooting

<b>Problem</b>	<b>Possible cause</b>	<b>Suggested remedy</b>
With AC operation: The refrigerator does not work.	The fuse in the AC mains is defective.	Replace the fuse.
	The vehicle is not connected to the AC mains.	Connect the vehicle to the AC mains.
	The AC heating element is defective.	Contact the authorised customer service.
With DC operation: The refrigerator does not work.	The fuse in the DC supply is defective.	Replace the fuse.
	The vehicle fuse has blown.	Replace the vehicle fuse in the DC socket (usually 15 A) (Please refer to the operating manual of your vehicle).
	The vehicle battery is discharged.	Test the battery and charge it.
	The ignition is not turned on.	Switch on the ignition.
	The DC heating element is defective.	Contact the authorised customer service.
With gas operation: The refrigerator does not work.	The gas cylinder is empty.	Replace the gas cylinder.
	The gas valve is closed.	Twist the valve open.
	Air is in the supply line.	Switch the refrigerator off and on again. Repeat the procedure three or four times if necessary.
In automatic mode: The refrigerator is being operated with gas although it is connected to the AC mains.	The mains voltage is too low.	The refrigerator changes to AC power supply automatically as soon as the mains voltage is sufficient again.

<b>Problem</b>	<b>Possible cause</b>	<b>Suggested remedy</b>
The refrigerator does not cool sufficiently.	The ventilation around the cooling unit is not sufficient.	Check that the ventilation grille is not obstructed.
	The evaporator is iced up.	Check whether the refrigerator door is properly closed. Defrost the refrigerator.
	The temperature is set too high.	Set a lower temperature.
	The ambient temperature is too high.	Remove the ventilation grille for a while so that warm air can escape quicker.
	Too much food at once was placed in the refrigerator.	Remove an item.
	Too much warm food at once was placed in the refrigerator.	Remove the warm food and leave it to cool down before putting it in again.
	The refrigerator has not been operating for very long.	Check the temperature again after four or five hours.

### Displays for faults and beeps

Faults are indicated by the flashing of individual buttons on the control panel, a beep or a combination of both.

Display	Problem	Suggested remedy
 and  flashing, a beep is emitted for 20 seconds	The AC heater element or the cooling unit is defective.	Contact the authorised customer service.
 and  flashing, a beep is emitted for 20 seconds	The DC heater element or the cooling unit is defective.	
 and  flashing, a beep is emitted for 20 seconds	The burner or the cooling unit is defective.	
 flashes	The temperature sensor has no contact or is defective.	
With AC operation:  and  flashing, a beep is emitted for 20 seconds	The power supply is not available or insufficient.	Check the AC power cable, the power supply and the fuse.
With DC operation:  and  flashing, a beep is emitted for 20 seconds	The power supply is not available or insufficient.	Check the DC power cable, the vehicle battery and the fuse.
With gas and automatic operation:  and  flashing, a beep is emitted for 20 seconds	The burner flame is not ignited.	Check the gas supply (gas cylinder, gas valve). Press the  button once the fault is rectified.
Beep is emitted for 15 seconds at intervals of two minutes	The interior light is switched on.	Check whether the refrigerator door is properly closed. Close the refrigerator door.

## 11 Warranty

The statutory warranty period applies. If the product is defective, please contact the manufacturer's branch in your country (see the back of the instruction manual for the addresses) or your retailer.

For repair and guarantee processing, please include the following documents when you send in the device:

- A copy of the receipt with purchasing date
- A reason for the claim or description of the fault

## 12 Disposal



### **WARNING! Children beware!**

Before disposing of your old refrigerator:

- Remove all doors.
- Dismantle the drawers.
- Leave the shelves in the refrigerator so that children cannot climb inside.

- Place the packaging material in the appropriate recycling waste bins wherever possible.



If you wish to finally dispose of the product, ask your local recycling centre or specialist dealer for details about how to do this in accordance with the applicable disposal regulations.

# 13 Technical data

	<b>RMDX21, RMDX25</b>
Voltage:	230 V~ / 50 Hz 12 V==
Capacity – total:	160 l
Capacity – freezer compartment:	30 l
Power consumption:	250 W (230 V~) 170 W (12 V==)
Power consumption:	4.2 kWh/24 h (230 V~) 340 Ah/24 h (12 V==)
Gas consumption:	420 g/24 h
Climatic class:	T
Noise emission:	0 dB(A)
Dimensions H x W x D without flange fig. <b>23 A</b> , with flange fig. <b>23 B</b>	
Weight:	47 kg
Inspection/certification:	



